

VOLA 1611, 1621, 1641T8

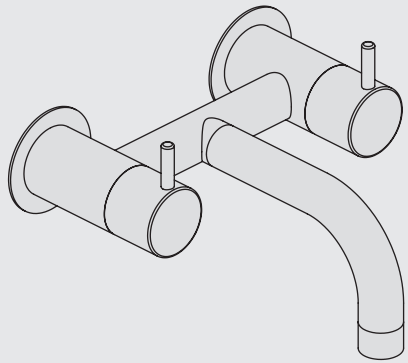
VOLA 1671, 1671-HT2

Fitting instruction
 Montageanleitung
 Monteringsvejledning
 Monteringsvægledning
 Montage hanleiding
 Manuel de montage

Data	Bar:	1	2	3	4	5
1611/1621	l/min	13.4	18.9	23.2	26.8	30.0
	Gal/min	3.5	5.0	6.1	7.1	7.9
1641	l/min	11.4	16.2	19.8	22.9	25.6
	Gal/min	3.0	4.3	5.3	6.1	6.8
1641 - T2	l/min	6.6	9.4	11.5	13.3	14.8
	Gal/min	1.74	2.5	3.0	3.5	3.9
1671 - T2	l/min	9.9	14.0	17.2	19.9	22.2
	Gal/min	2.6	3.7	4.5	5.3	5.9

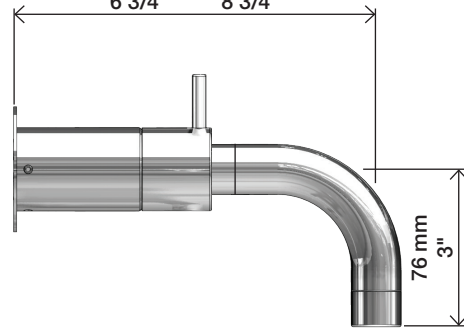


Max. 65°C. 150°F



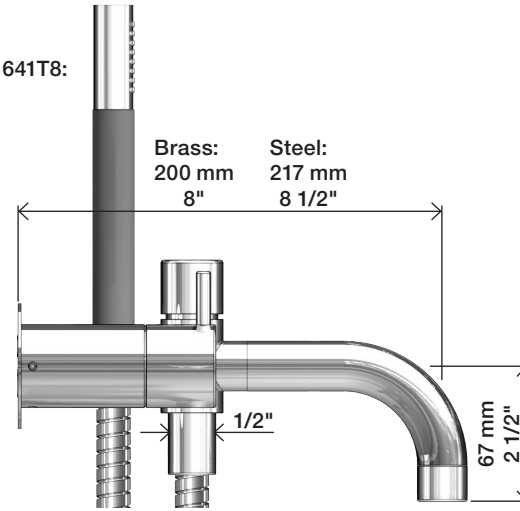
1611: A 1621: B

A 170 mm 6 3/4"
 B 220 mm 8 3/4"

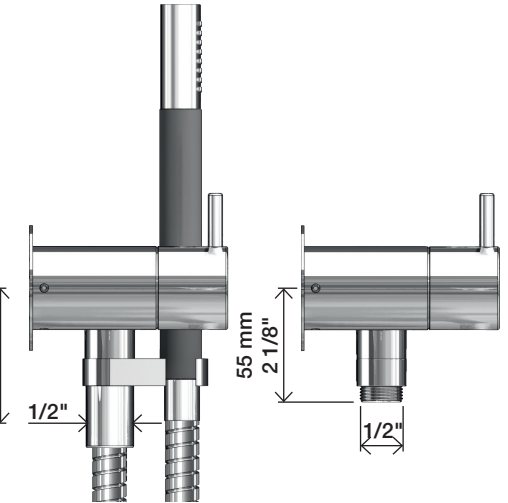


1641T8:

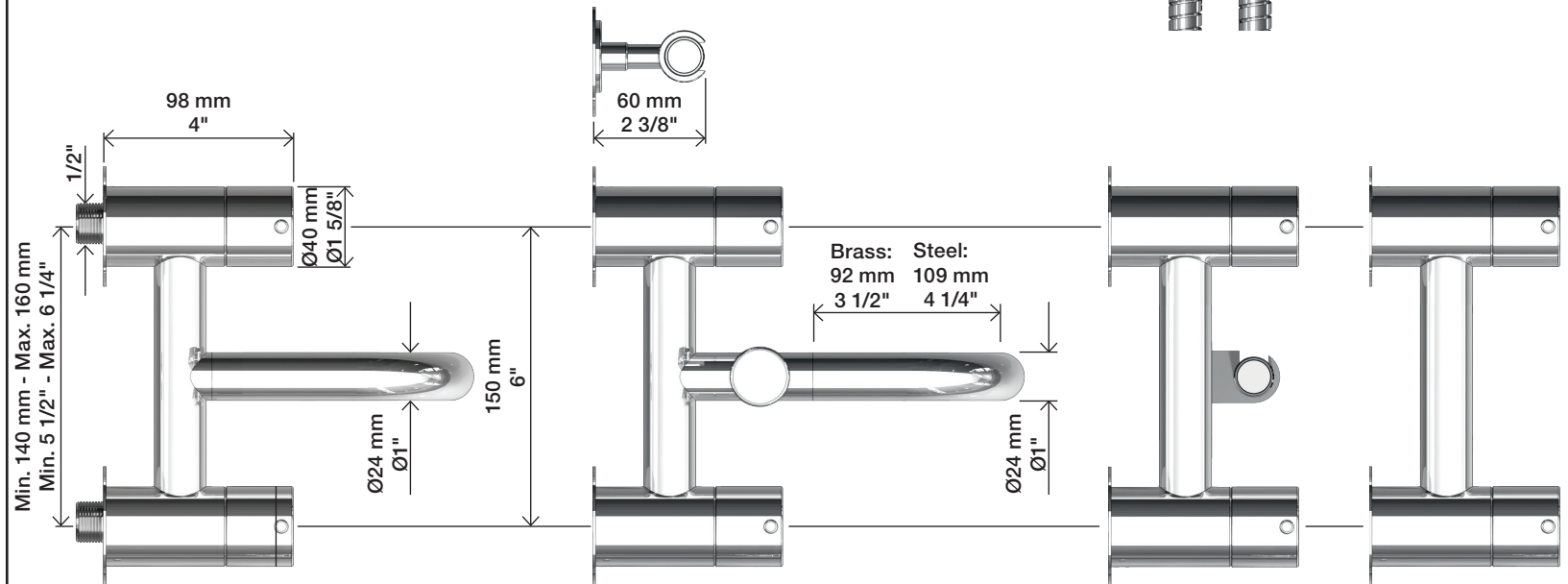
Brass: 200 mm 8"
 Steel: 217 mm 8 1/2"



1671:



1671-HT2:

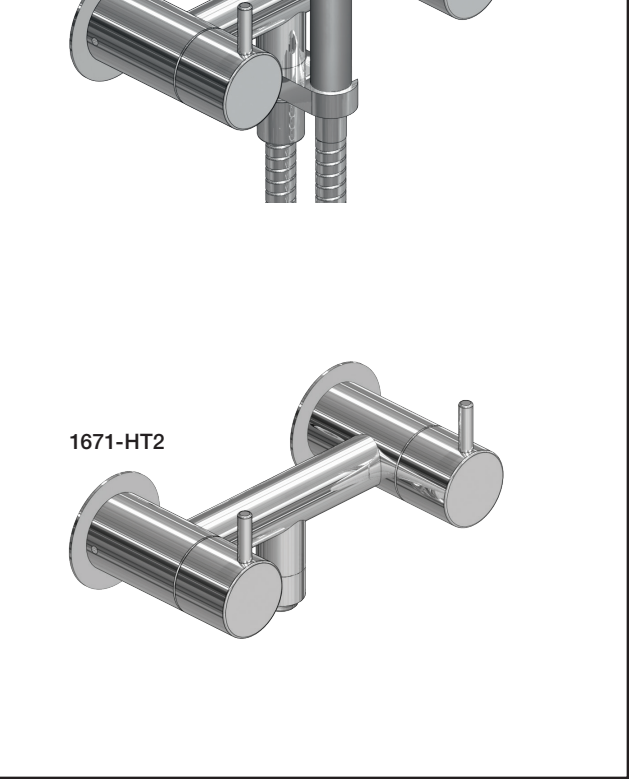
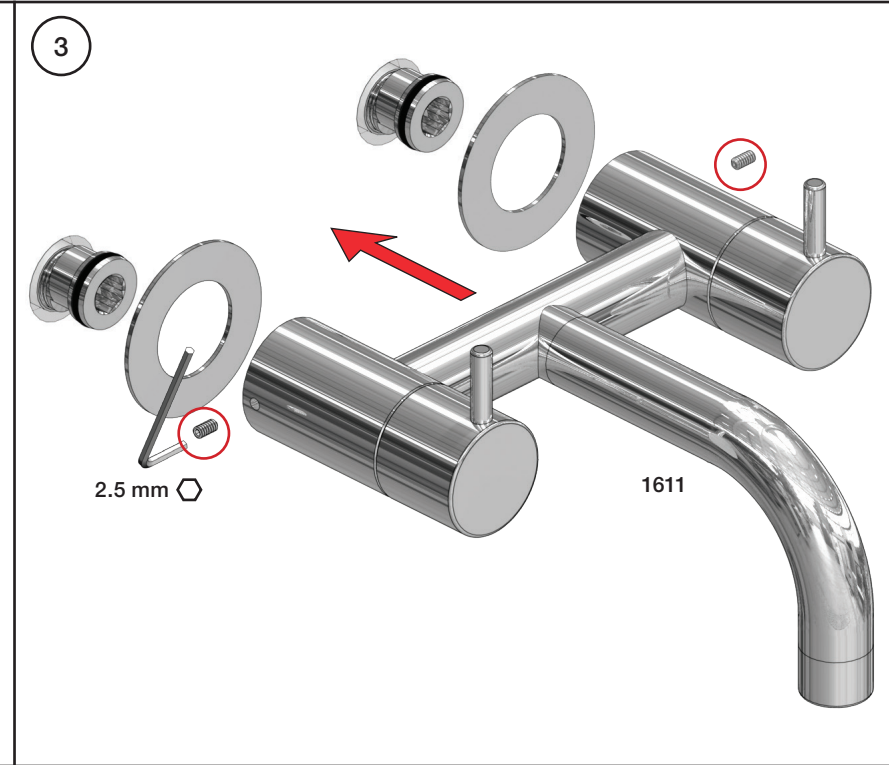
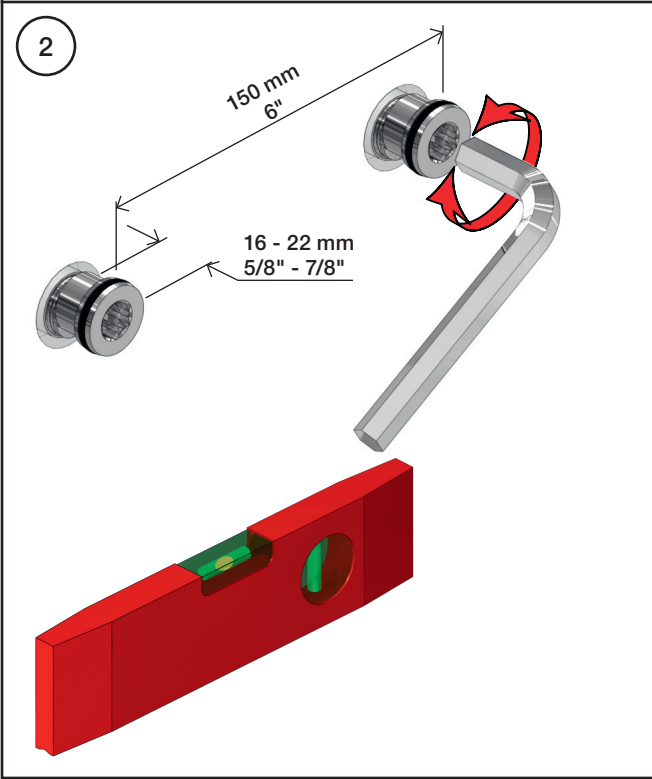
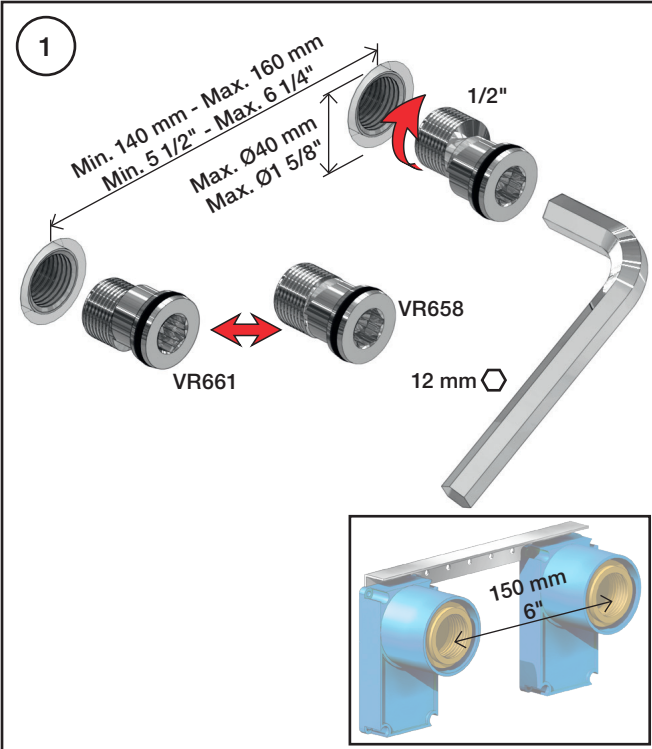


www.vola.com

mnt_1600_V1_40999692
 25-09-2024

vola

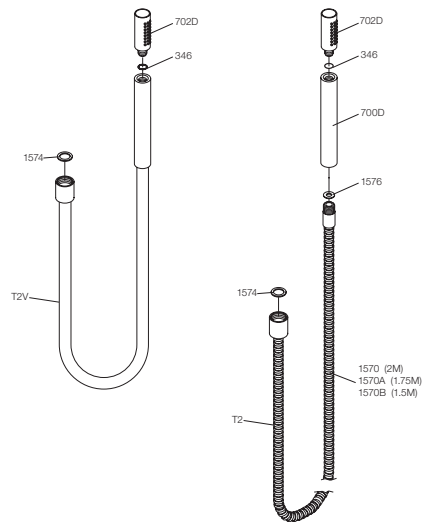
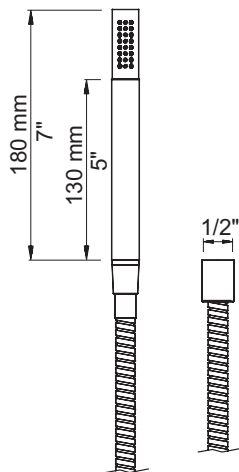




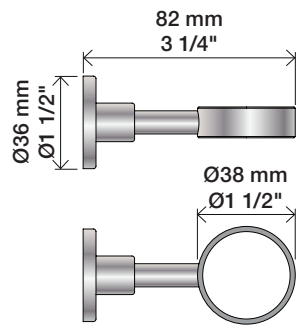
VOLA T2



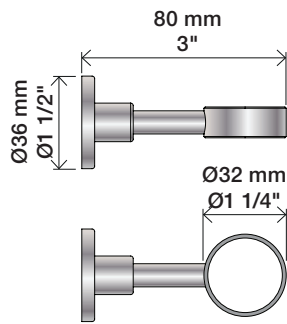
VOLA T2



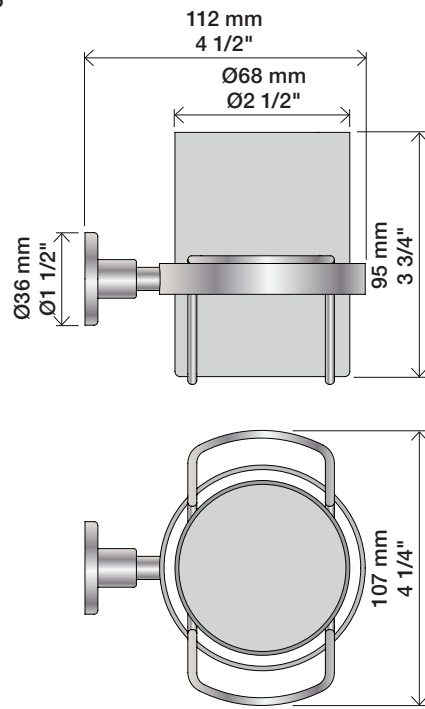
T4



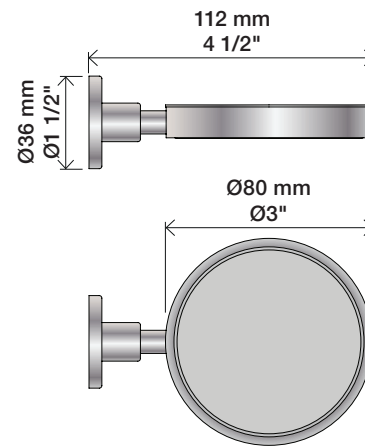
T5



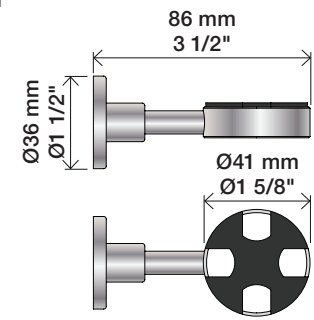
T6



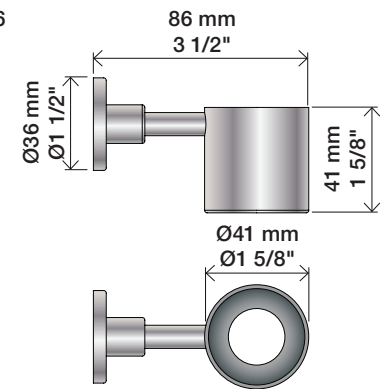
T7



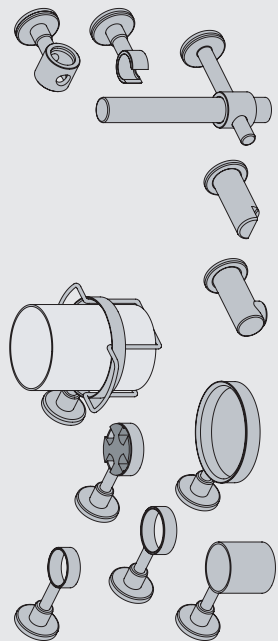
T11



T16



VOLA T3, T4, T5, T6, T7, T8, T9, T11, T14, T16, T27



www.vola.com

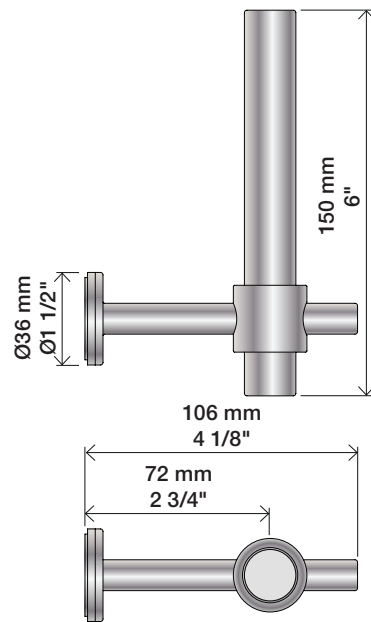
vola



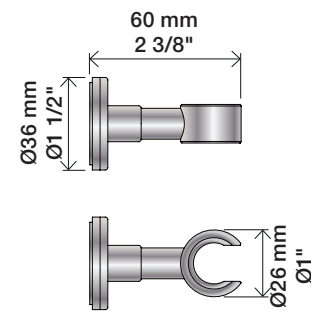
5 1703182 372310

mnt_T3-T27_V3_40999247
01-04-2022

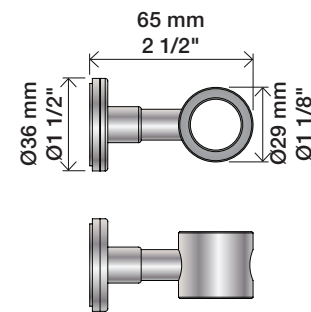
T14



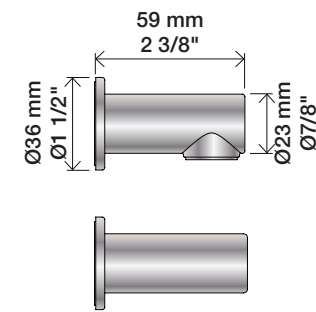
T8



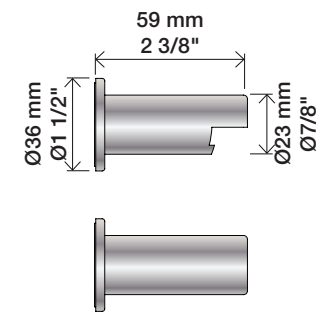
T9



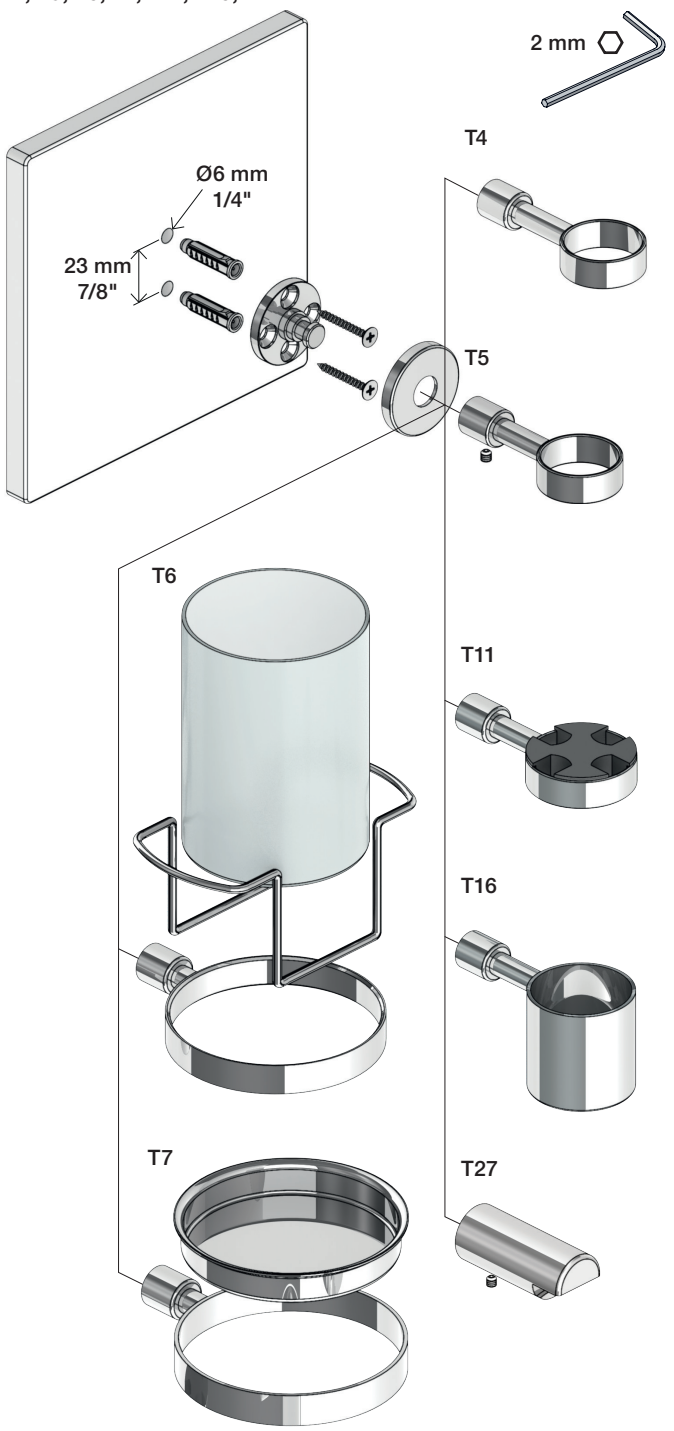
T3



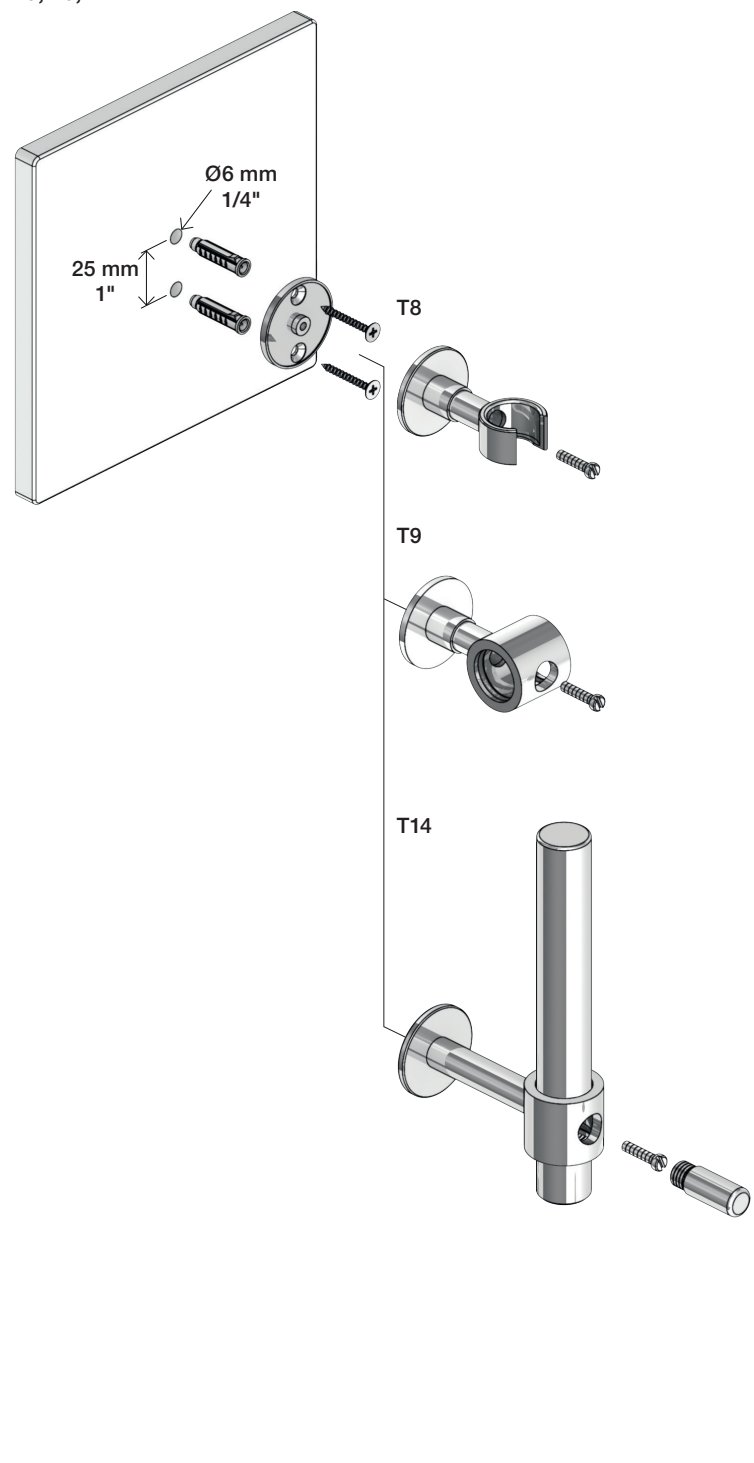
T27



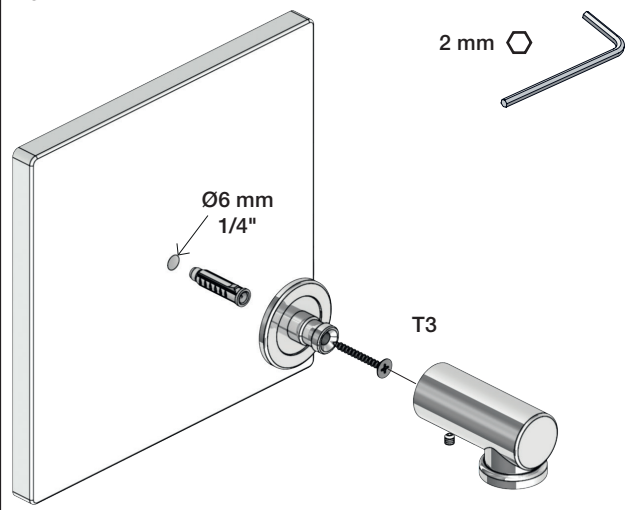
T4, T5, T6, T7, T11, T16, T27

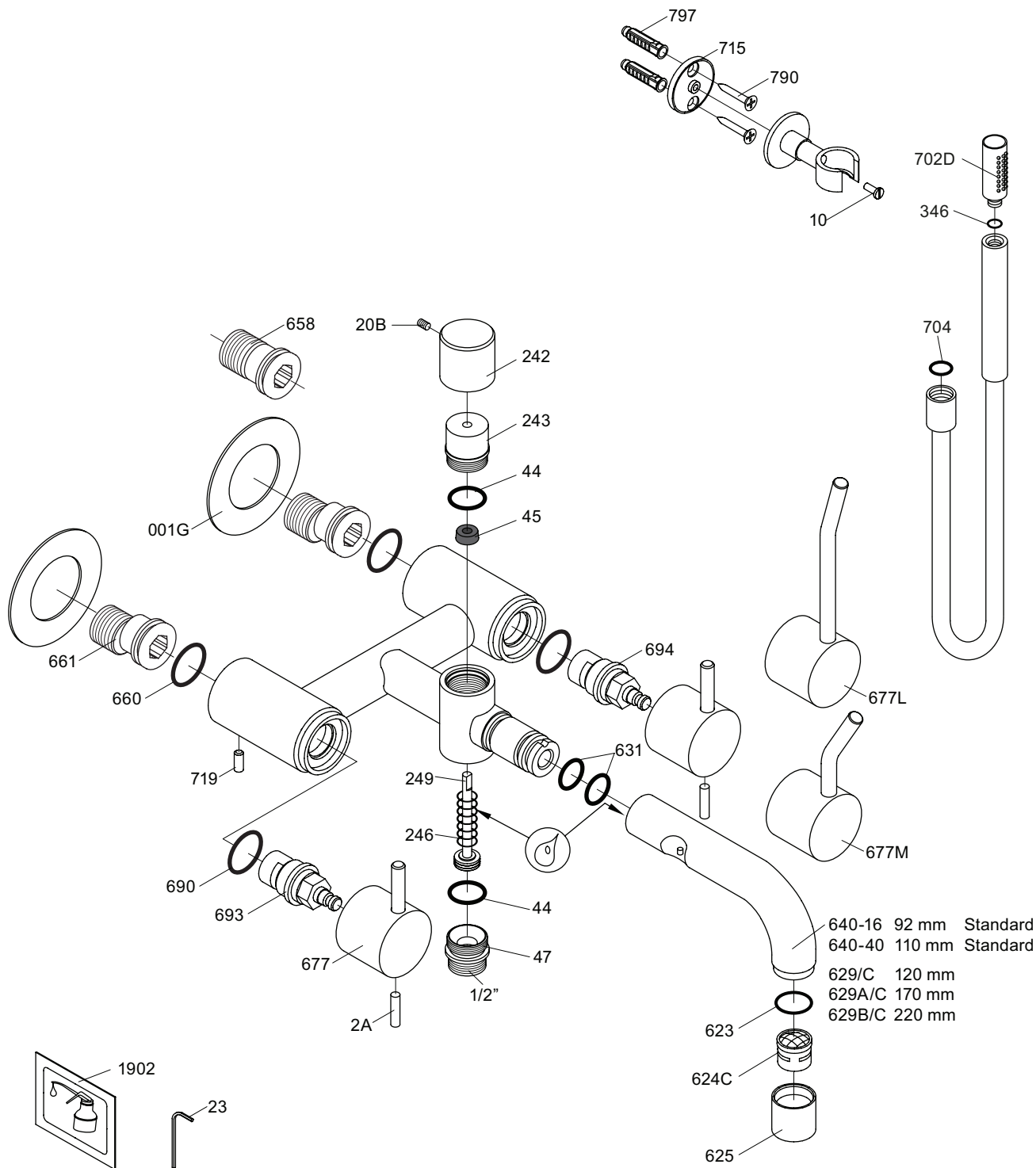


T8, T9, T14



T3





VR040D/
 VR1640:

VR22, VR44, VR45, VR246, VR249, VR623, VR624/A/C/D/E/F, 2xVR631, VR1902
 VR23, VR44, VR45, VR47, VR246, VR249, VR623, VR624/A/C/D/E/F, 2xVR631, VR1902



vola
 Lunavej 2
 DK-8700 Horsens
 Tlf : + 45 7023 5500
 sales@vola.com
 www.vola.com

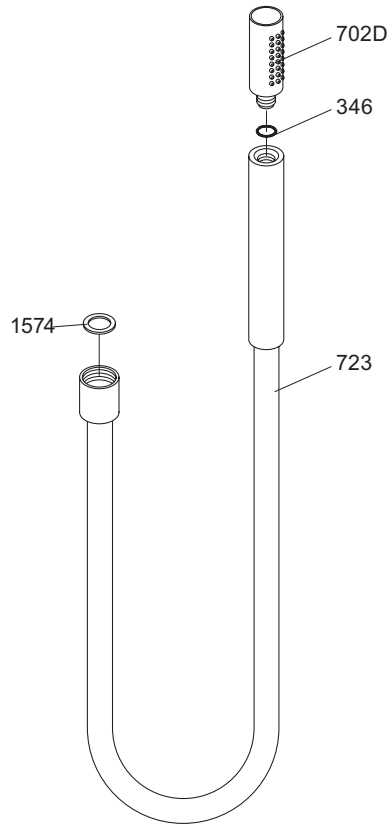
VOLA 1641T8

Date
 Jan. 96

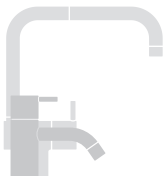
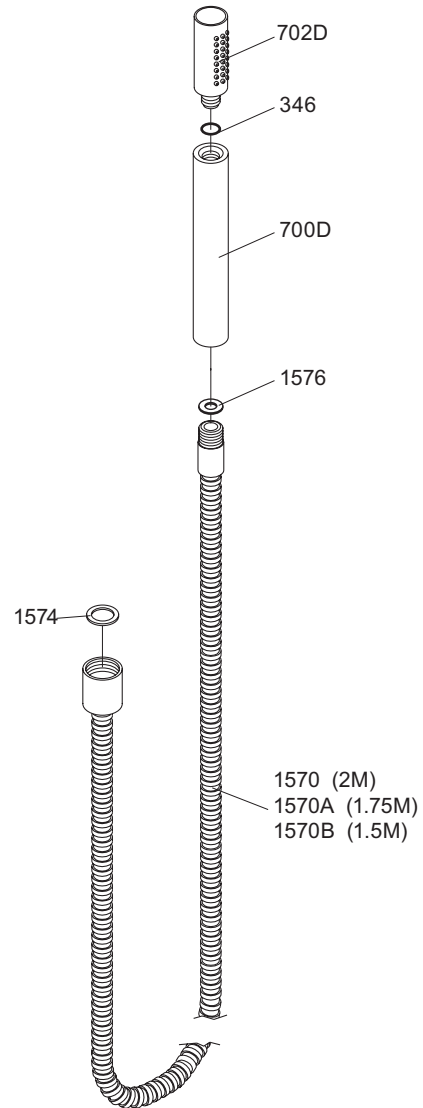
Rev.
 2

Sheet
 SB 50A

T2V:



T2:



vola

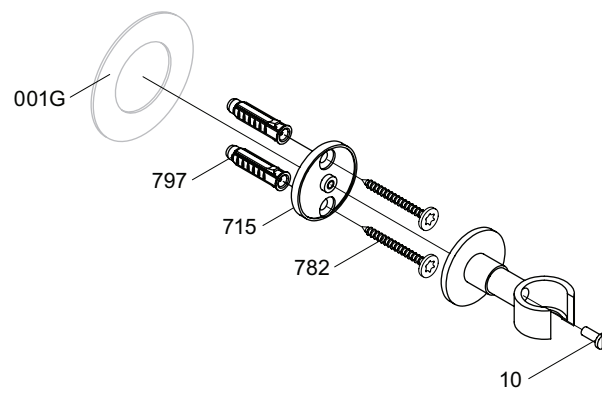
Lunavej 2
DK-8700 Horsens
Tlf : + 45 7023 5500
sales@vola.com
www.vola.com

VOLA T2V & T2

Date
Sep. 07

Rev.
1

Sheet
SB 40



VR715: VR715, 2xVR782, 2xVR797



vola

Lunavej 2
DK-8700 Horsens
Tlf : + 45 7023 5500
sales@vola.com
www.vola.com

VOLA T8

Date
Sep. 24

Rev.
2

Sheet
SB 40.6