

VOLA S50, S50D, S50DH  
 VOLA KV3, KV4, KV9, KV10, KV15  
 VOLA HV5, HV8, HV10  
 VOLA SC2, SC4, SC6, SC8, SC11, SC13

Fitting instruction  
 Montageanleitung  
 Monteringsvejledning  
 Monteringsvægledning  
 Montage hanleiding  
 Manuel de montage



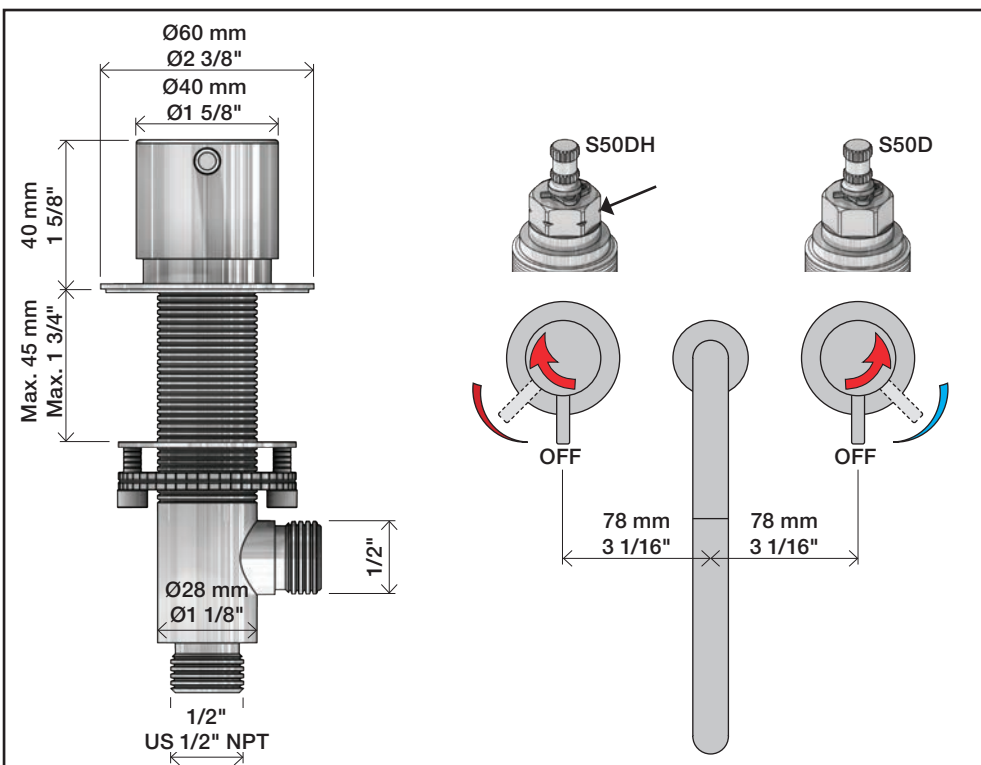
04/00115  
 04/00307  
 04/00340



www.vola.com

vola

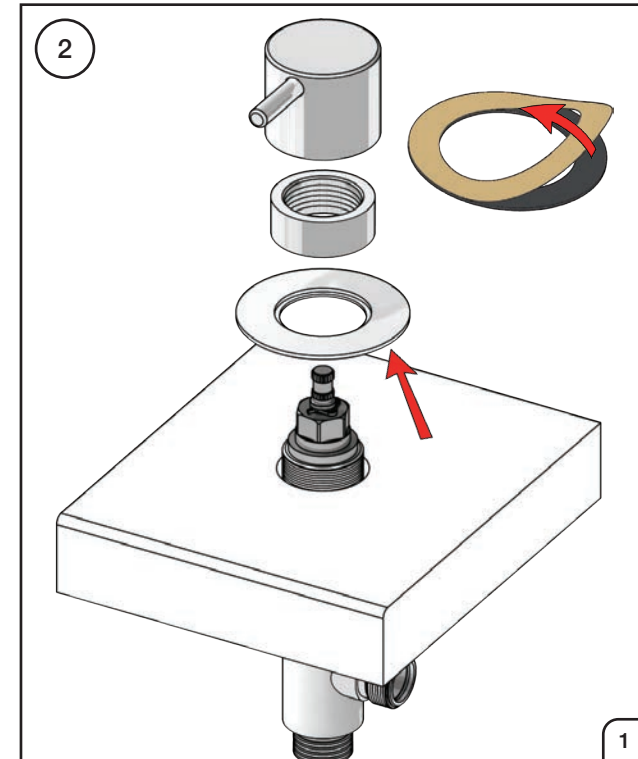
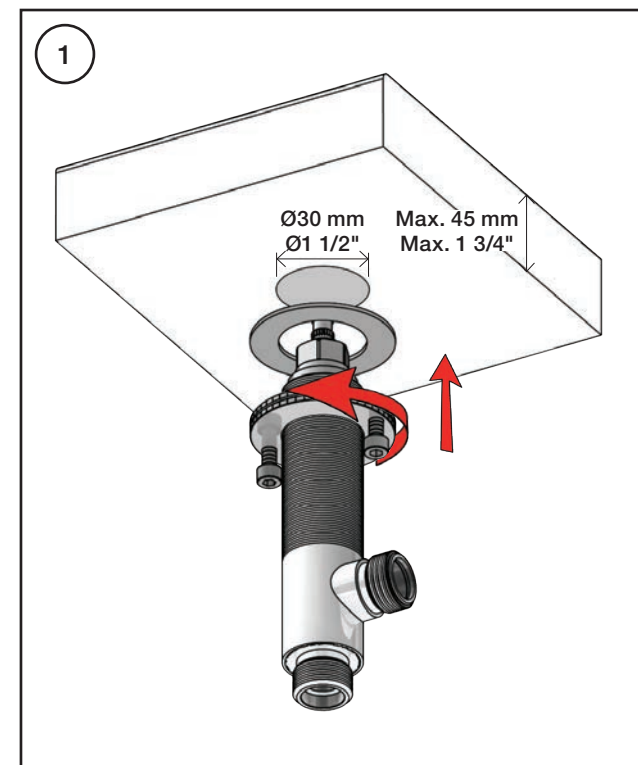
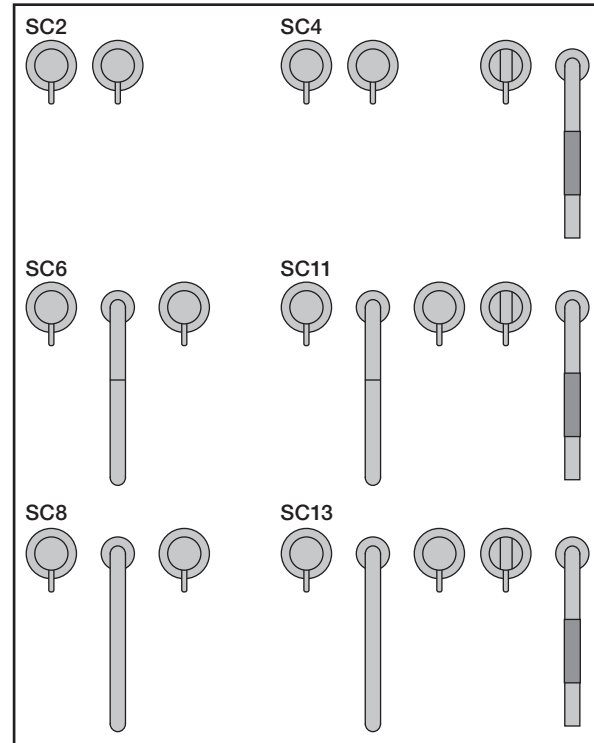
S50\_V9\_40999831  
 08-08-2024

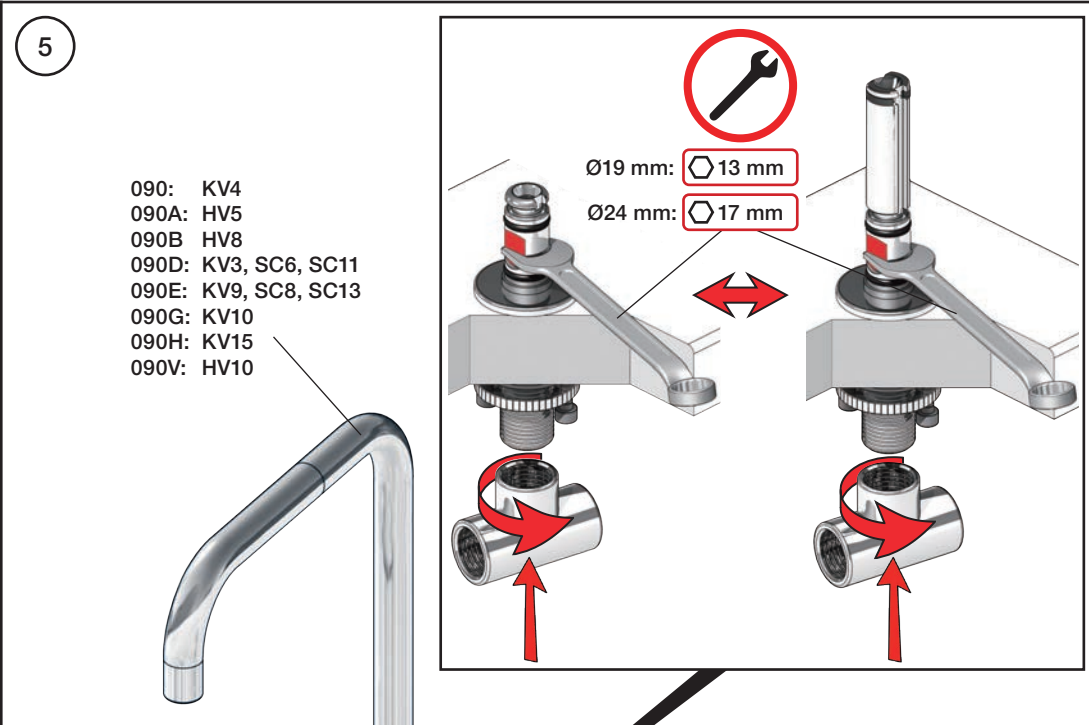
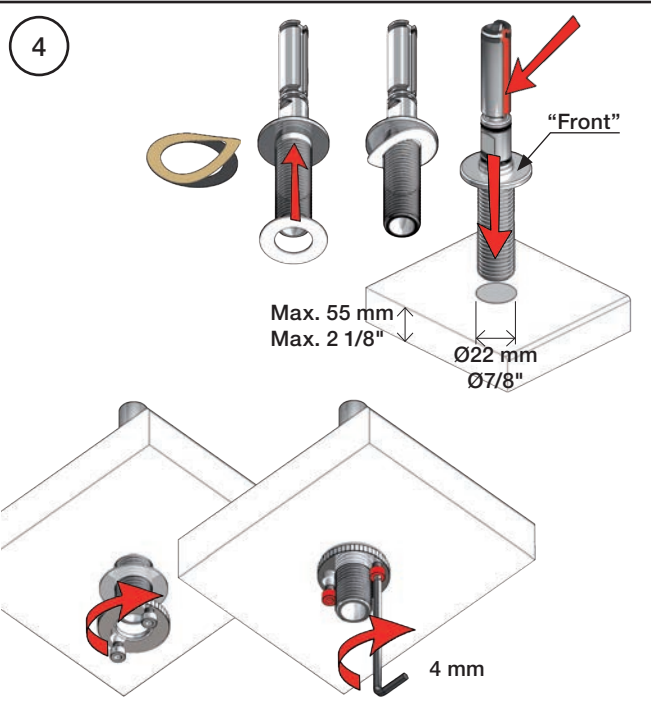
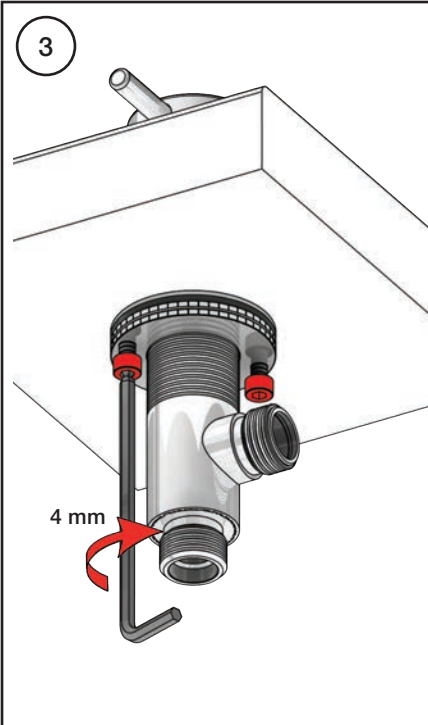


**Data, 3 Bar/43.5 Psi:**

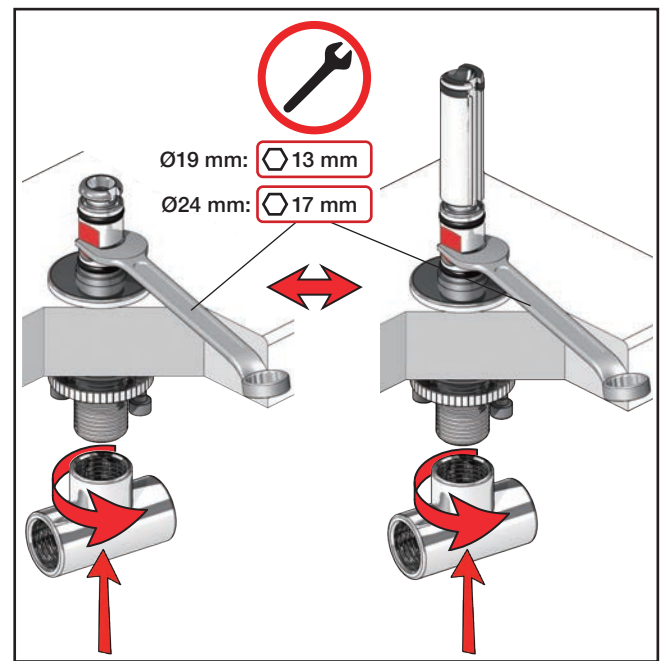
|                     | l/min. | Gal/min. |
|---------------------|--------|----------|
| S50:                | 32,0   | 8.5      |
| KV3:                | 30,0   | 7.9      |
| KV4:                | 9,0    | 2.4      |
| KV10, 15:           | 9,0    | 2.4      |
| HV5, 8, 10:         | 9,0    | 2.4      |
| SC2, 4 (A24):       | 16,0   | 4.2      |
| SC6, 8, 11, 13: (C) | 26,0   | 6.9      |

Max. 65°C, 150°F





- 090: KV4
- 090A: HV5
- 090B: HV8
- 090D: KV3, SC6, SC11
- 090E: KV9, SC8, SC13
- 090G: KV10
- 090H: KV15
- 090V: HV10

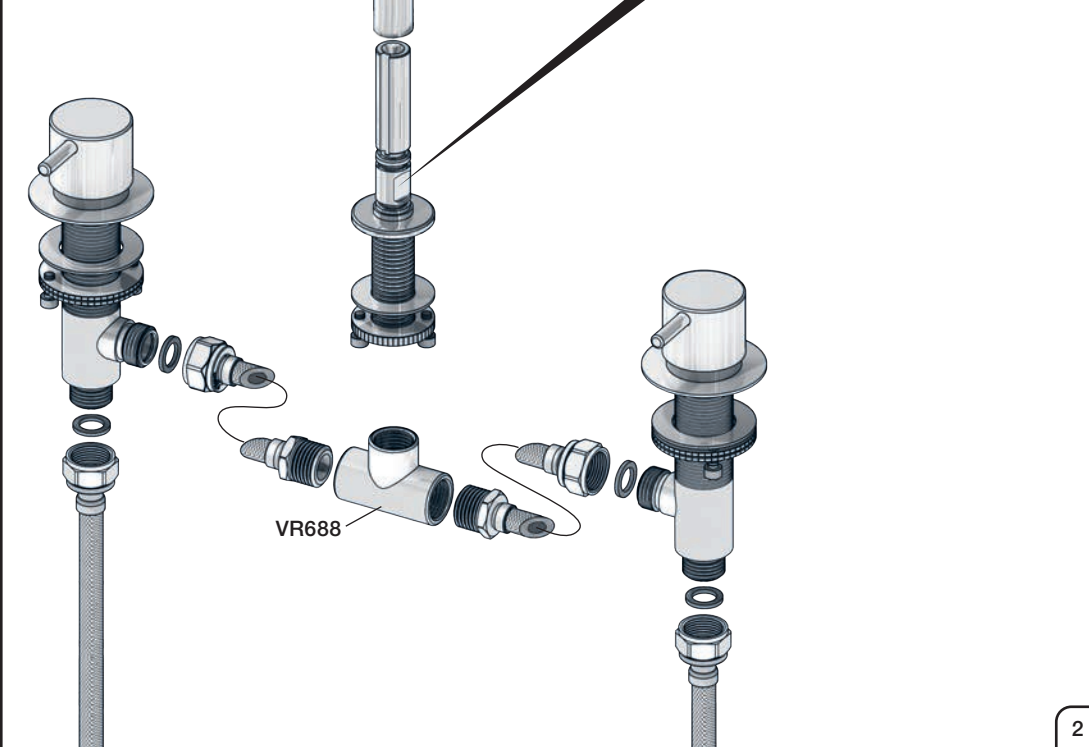
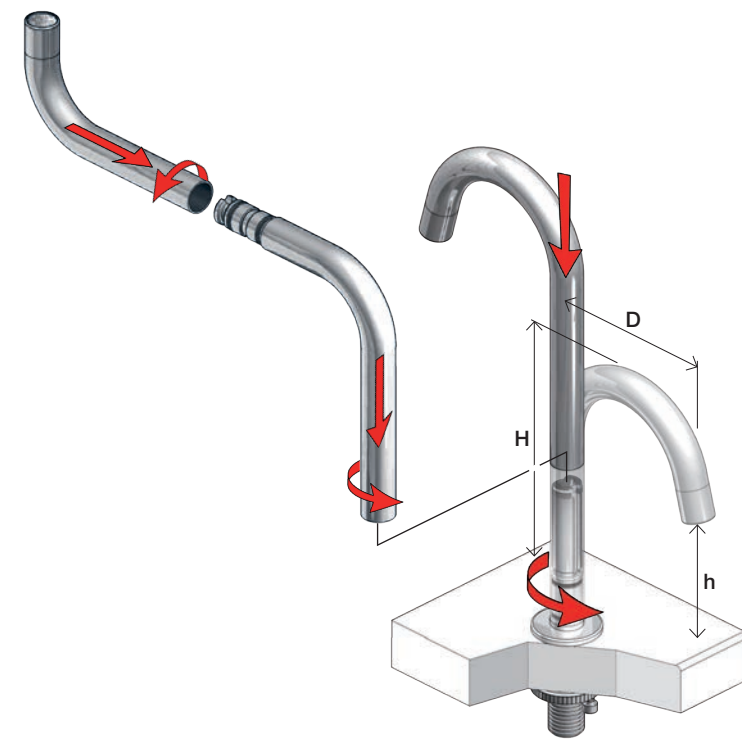


4A

| mm:  | H   | D   | h   |
|------|-----|-----|-----|
| 090  | 210 | 200 | 145 |
| 090A | 110 | 85  | 40  |
| 090B | 185 | 100 | 114 |
| 090C | 185 | 100 | 114 |
| 090D | 220 | 200 | 130 |
| 090E | 170 | 200 | 65  |
| 090G | 185 | 140 | 105 |
| 090H | 265 | 230 | 155 |
| 090I | 325 | 230 | 216 |
| 090V | 355 | 145 | 270 |

| Inches: | H       | D      | h       |
|---------|---------|--------|---------|
| 090     | 8 1/2"  | 8"     | 5 3/4"  |
| 090A    | 4 1/4"  | 3 1/2" | 1 1/2"  |
| 090B    | 7"      | 4"     | 4 1/2"  |
| 090C    | 7"      | 4"     | 4 1/2"  |
| 090D    | 8 3/4"  | 8"     | 5"      |
| 090E    | 6 3/4"  | 8"     | 2 1/2"  |
| 090G    | 7"      | 5 1/2" | 4"      |
| 090H    | 10 1/2" | 9"     | 6"      |
| 090I    | 12 3/4" | 9"     | 8 1/2"  |
| 090V    | 14"     | 5 3/4" | 10 1/2" |



VOLA 090, 090A, 090B:  
 VOLA 090C, 090D, 090E:  
 VOLA 090G, 090H, 090I, 090V:

1 - 4

VOLA 090FM:

5

Fitting instruction      Monteringsvægledning  
 Montageanleitung      Montage hanledning  
 Monteringsvejledning    Manuel de montage



04/00045  
 04/00109



www.vola.com

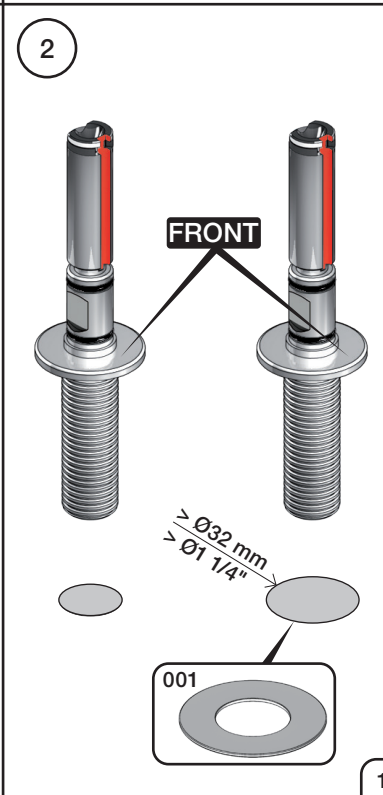
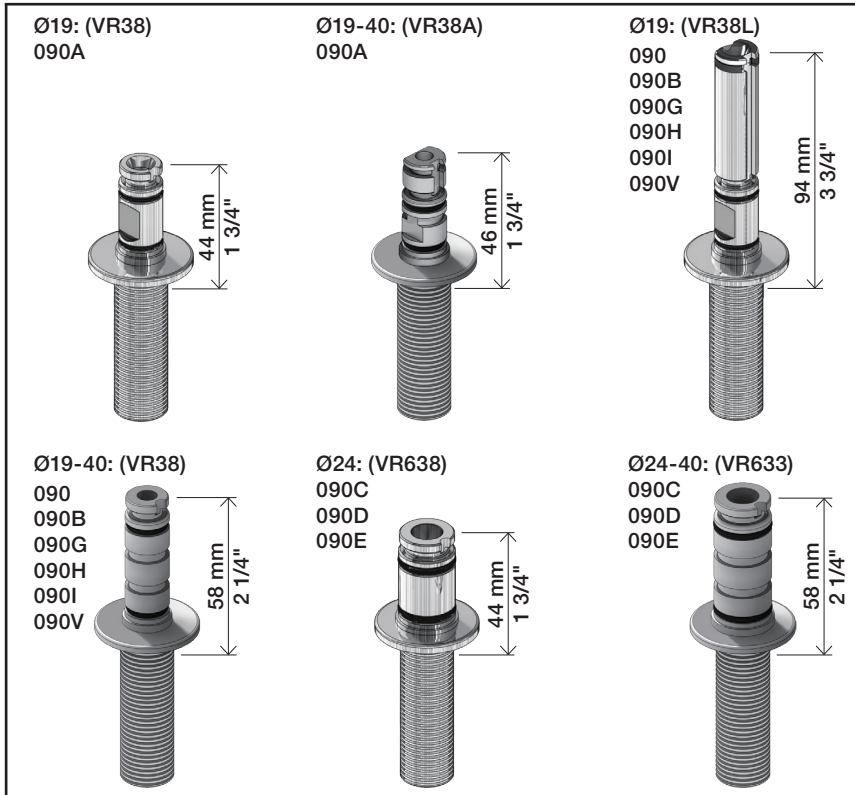
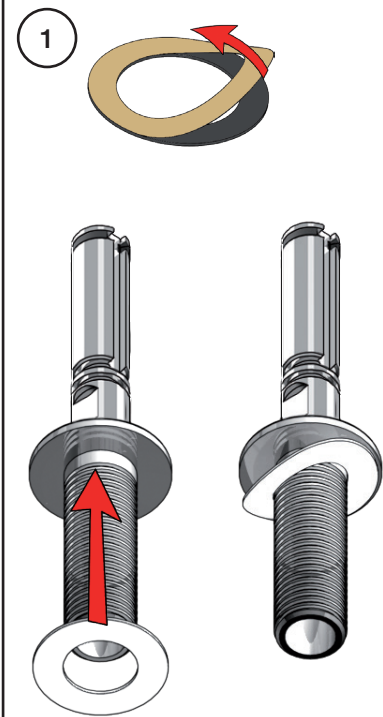


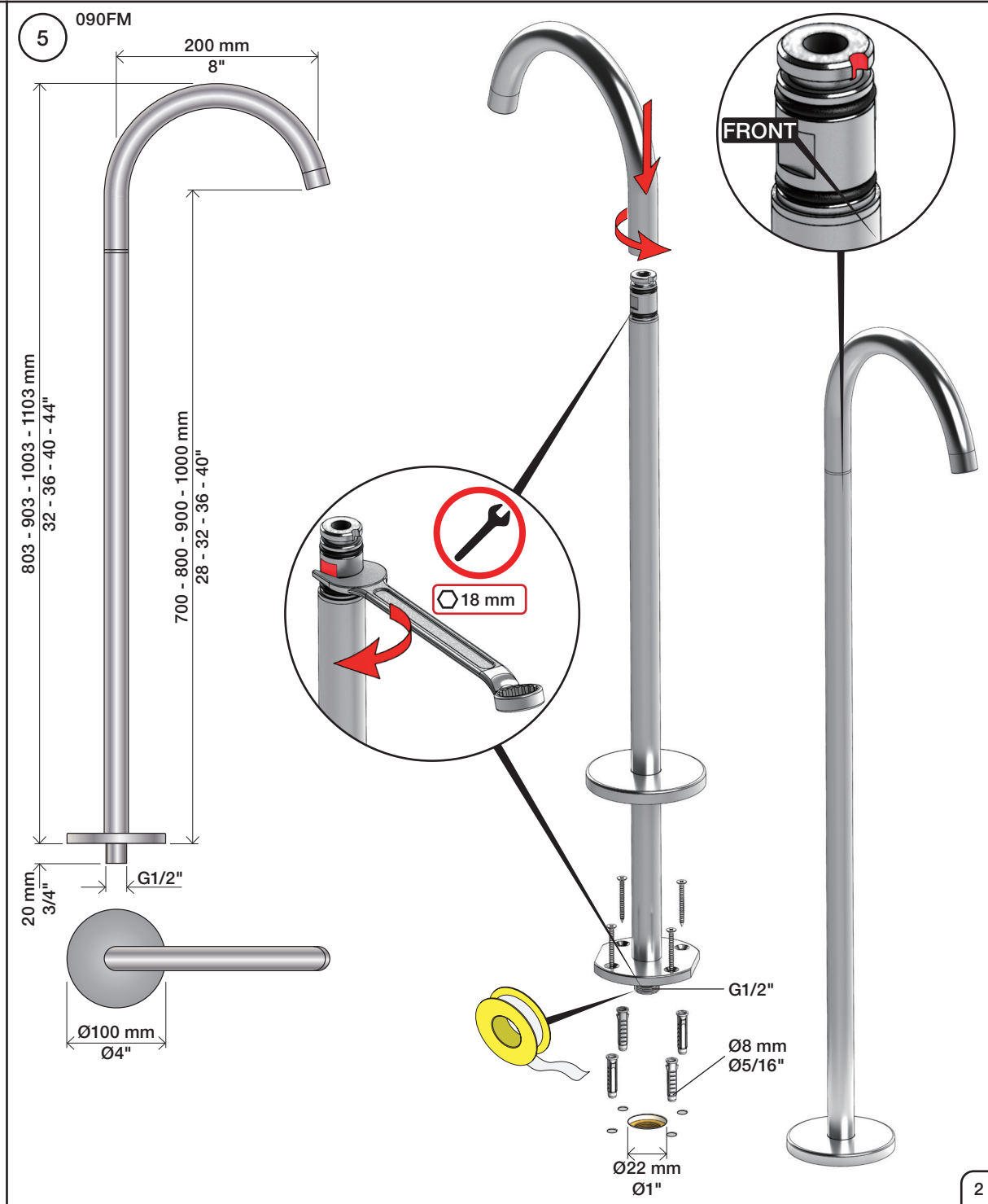
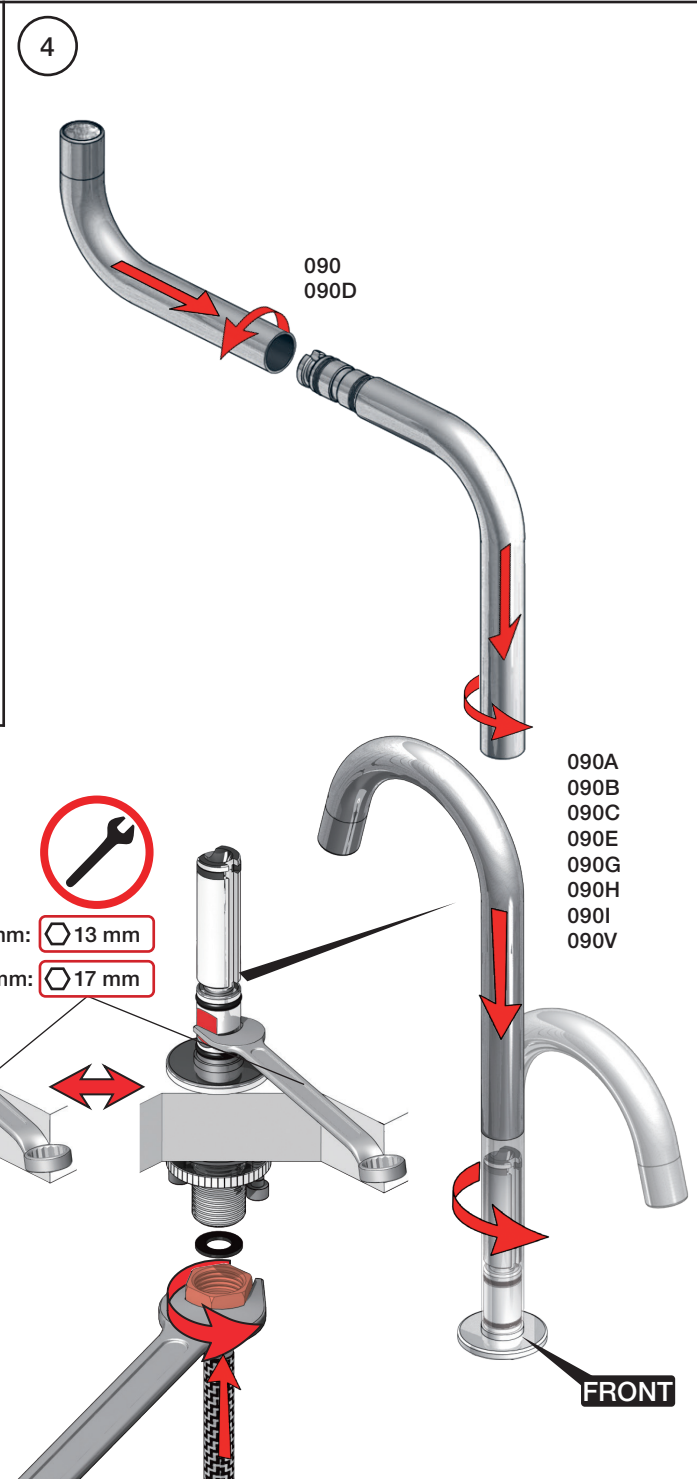
mnt\_090\_V4\_40999824  
 21-11-2023

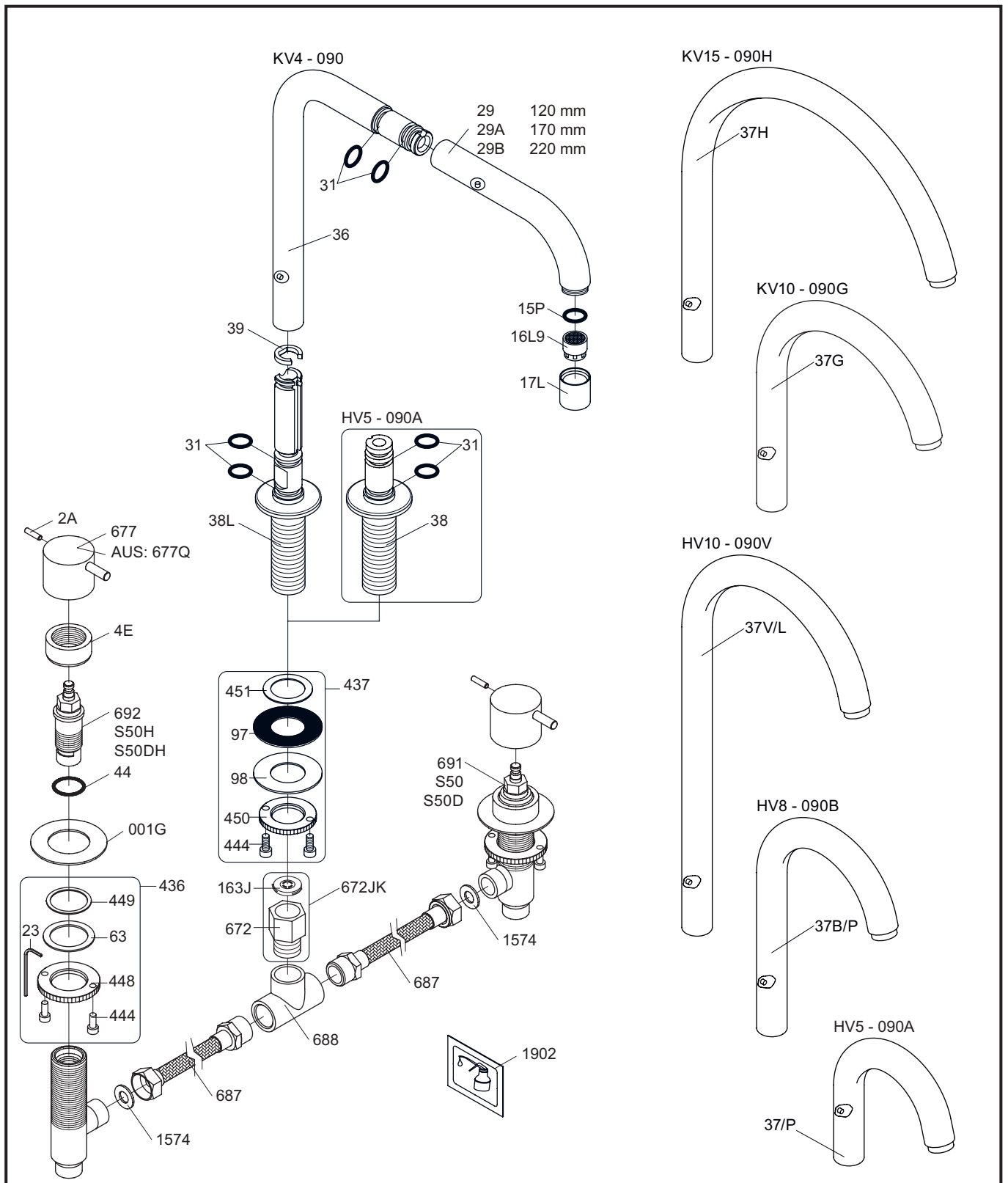


| mm:  | Ø  | H   | D   | h   |
|------|----|-----|-----|-----|
| 090  | 19 | 210 | 200 | 145 |
| 090A | 19 | 110 | 85  | 40  |
| 090B | 19 | 185 | 100 | 114 |
| 090C | 24 | 185 | 100 | 114 |
| 090D | 24 | 220 | 200 | 130 |
| 090E | 24 | 170 | 200 | 65  |
| 090G | 19 | 185 | 140 | 105 |
| 090H | 19 | 265 | 220 | 155 |
| 090I | 19 | 325 | 220 | 215 |
| 090V | 19 | 355 | 145 | 270 |

| Inches: | Ø    | H       | D      | h       |
|---------|------|---------|--------|---------|
| 090     | 3/4" | 8 1/4"  | 8"     | 5 3/4"  |
| 090A    | 3/4" | 4 1/4"  | 3 1/2" | 1 1/2"  |
| 090B    | 3/4" | 7"      | 4"     | 4 1/2"  |
| 090C    | 1"   | 7"      | 4"     | 4 1/2"  |
| 090D    | 1"   | 8 3/4"  | 8"     | 5"      |
| 090E    | 1"   | 6 3/4"  | 8"     | 2 1/2"  |
| 090G    | 3/4" | 7"      | 5 1/2" | 4"      |
| 090H    | 3/4" | 10 1/2" | 8 5/8" | 6"      |
| 090I    | 3/4" | 12 3/4" | 8 5/8" | 8 1/2"  |
| 090V    | 3/4" | 14"     | 5 3/4" | 10 1/2" |







- |          |                                   |
|----------|-----------------------------------|
| NR.7:    | VR2A, VR23, VR677                 |
| VR090:   | VR15P, VR16L9, VR17L              |
| VR436:   | VR63, 2xVR444, VR448, VR449       |
| VR437:   | VR97, VR98, 2xVR444, VR450, VR451 |
| VR672JK: | VR163J, VR672                     |
| VR691K:  | VR23, VR691                       |
| VR692K:  | VR23, VR692                       |



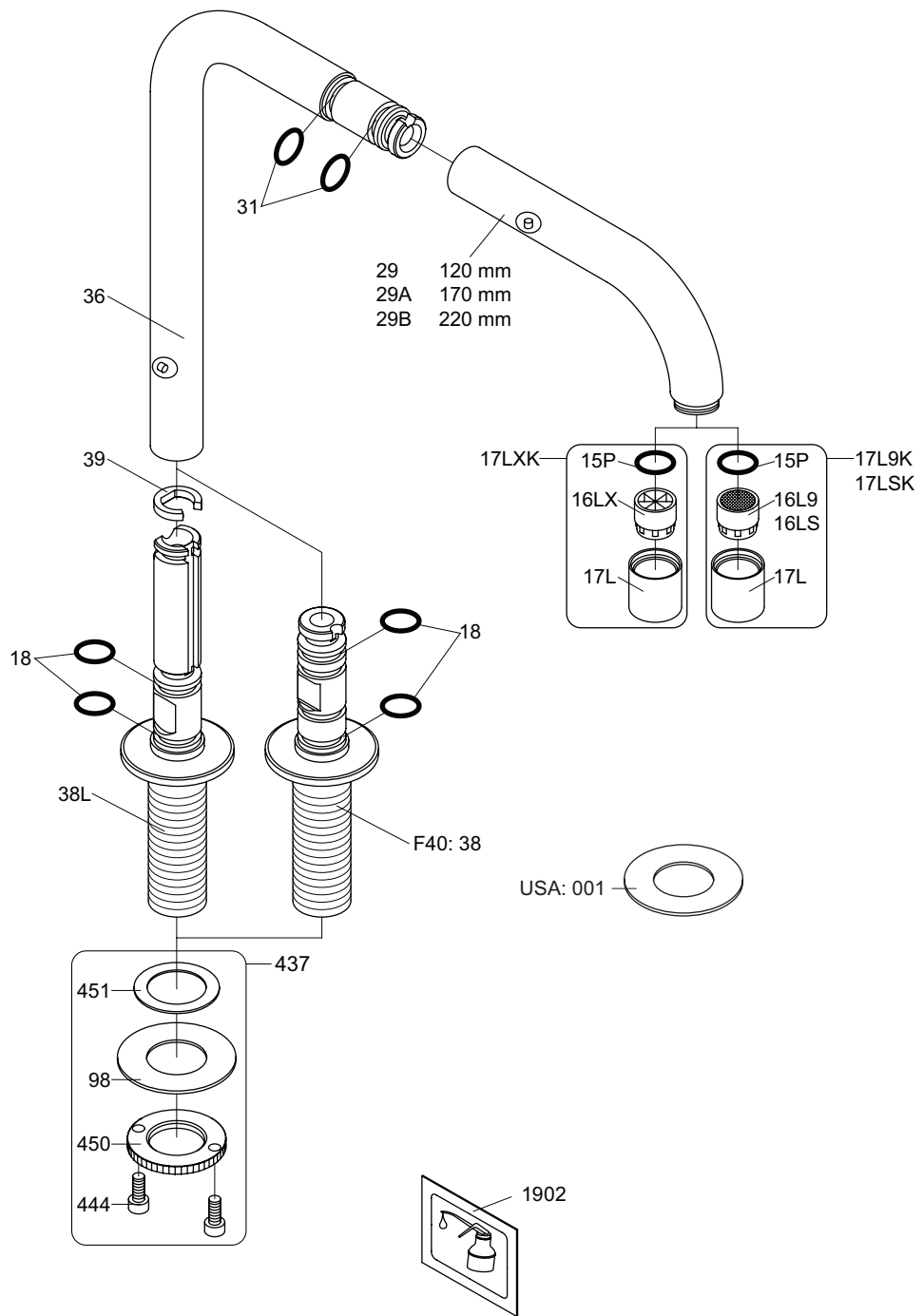
**vola**  
 Lunavej 2  
 DK-8700 Horsens  
 Tlf : + 45 7023 5500  
 sales@vola.com  
 www.vola.com

## VOLA KV4/KV10/KV15 VOLA HV5/HV8/HV10

Date  
Apr. 21

Rev.  
4

Sheet  
**SB 27.6**



VR17L9K: VR15P, VR16L9, VR17L  
 VR17LSK: VR15P, VR16LS, VR17L  
 VR17LXK: VR15P, VR16LX, VR17L  
 VR090L9: VR15P, VR16L9, VR17L, 2xVR18, 2xVR31, VR1902  
 VR437: VR98, 2xVR444, VR450, VR451



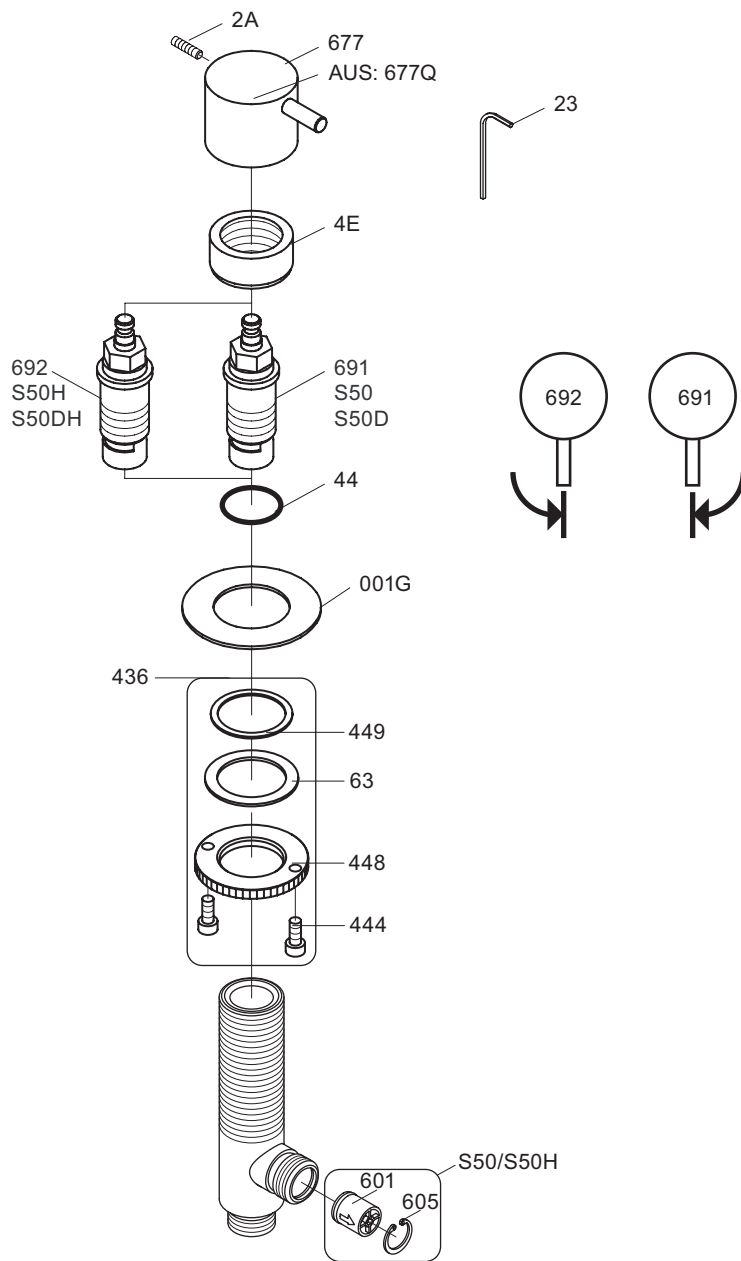
**vola**  
 Lunavej 2  
 DK-8700 Horsens  
 Tlf : + 45 7023 5500  
 sales@vola.com  
 www.vola.com

# VOLA 090

Date  
Okt. 16

Rev.  
**3**

Sheet  
**SB 18**



VR691i: VR23, VR44, VR691  
 VR692i: VR23, VR44, VR692  
 VR436: VR63, 2xVR444, VR448, VR449  
 NR.7: VR2A, VR23, VR677



**vola**  
 Lunavej 2  
 DK-8700 Horsens  
 Tlf : + 45 7023 5500  
 sales@vola.com  
 www.vola.com

**VOLA S50/S50H**  
**VOLA S50D/S50DH**

Date  
 Sep. 09

Rev.  
 2

Sheet  
**SB 31.3**