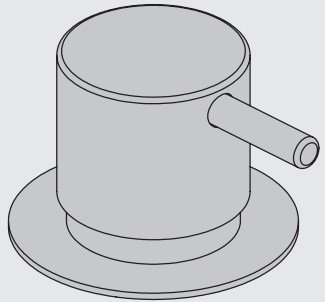


VOLA S50, S50D, S50DH  
 VOLA KV3, KV4, KV9, KV10, KV15  
 VOLA HV5, HV8, HV10  
 VOLA SC2, SC4, SC6, SC8, SC11, SC13

Fitting instruction  
 Montageanleitung  
 Monteringsvejledning  
 Monteringsvægledning  
 Montage hanleiding  
 Manuel de montage



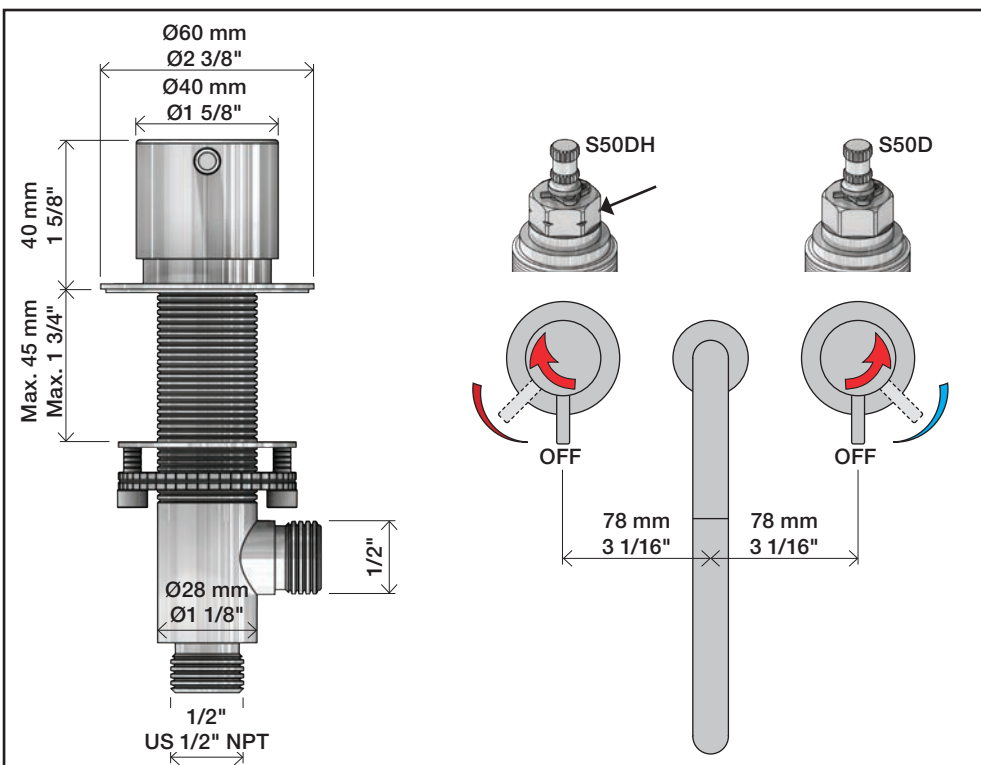
04/00115  
 04/00307  
 04/00340



www.vola.com

vola

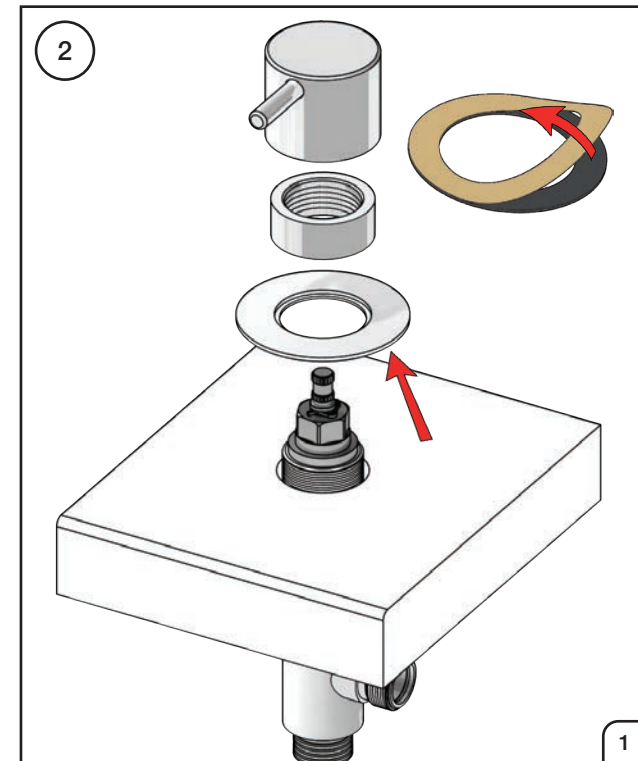
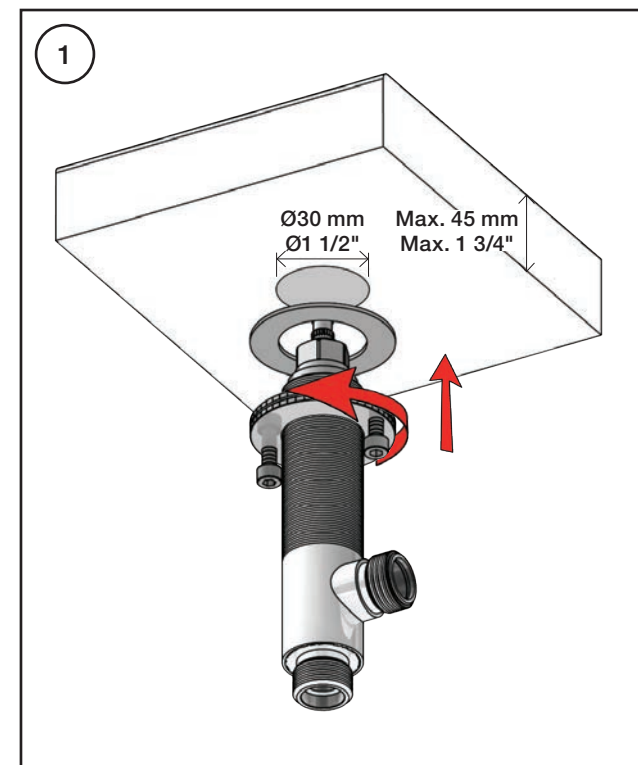
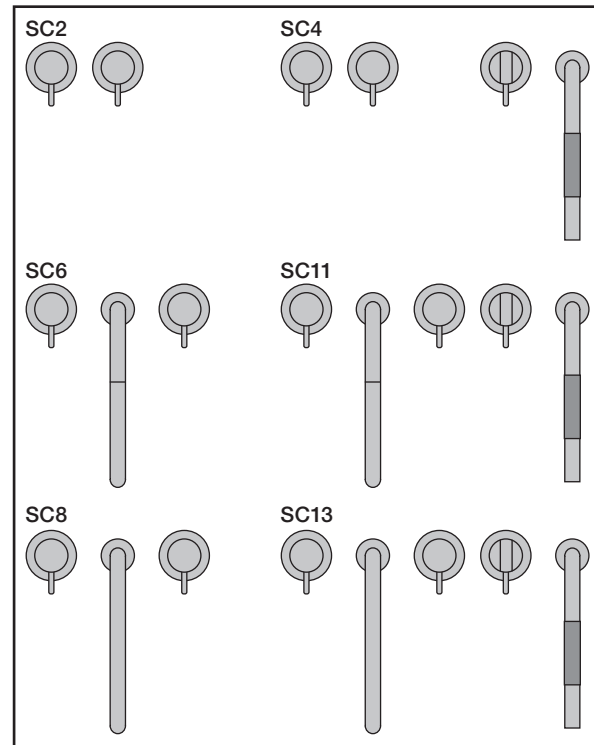
S50\_V9\_40999831  
 08-08-2024

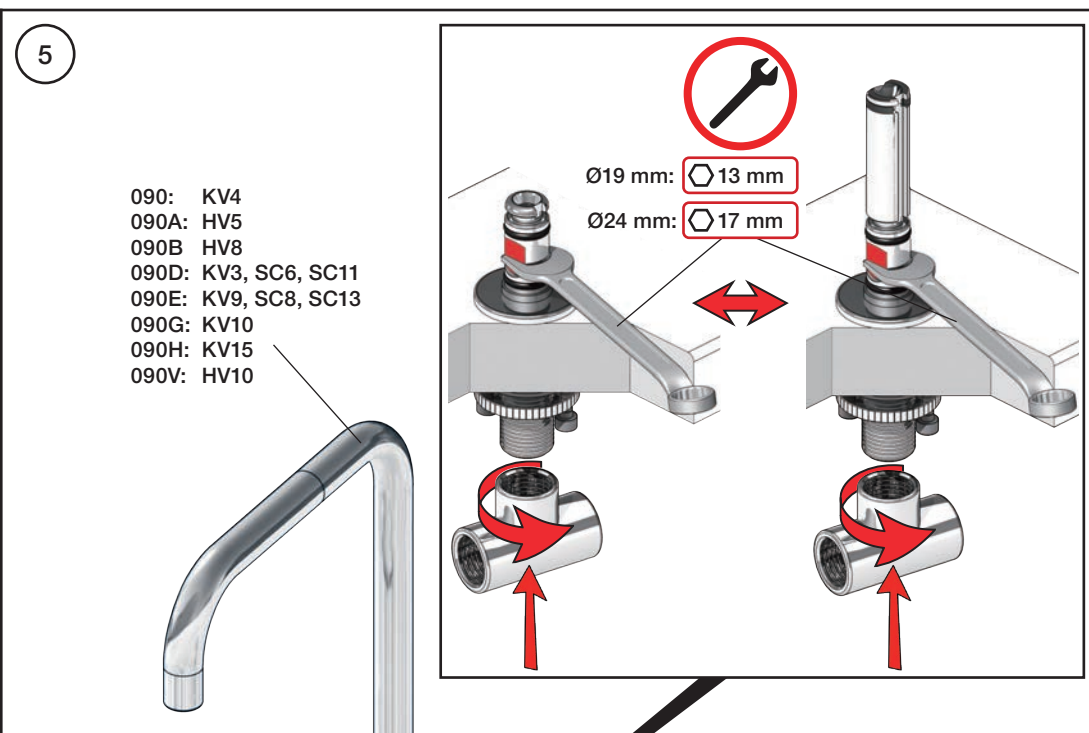
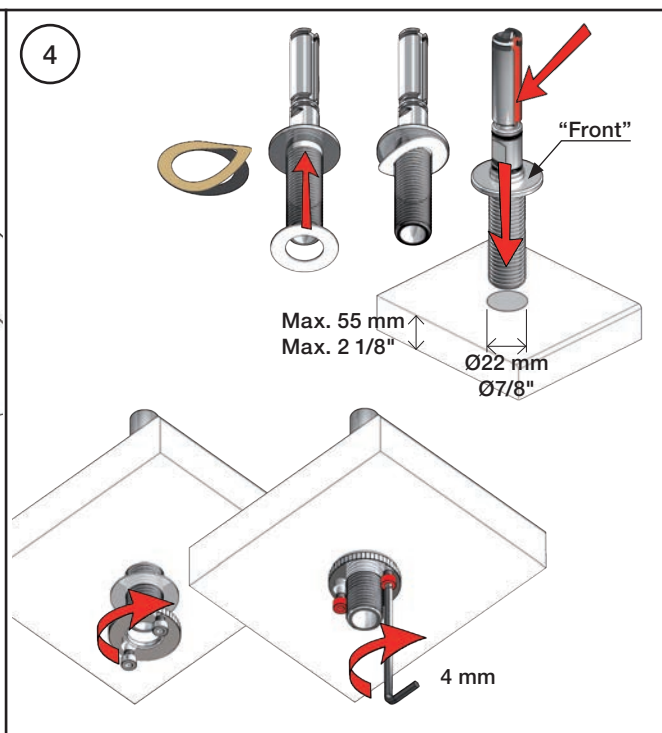
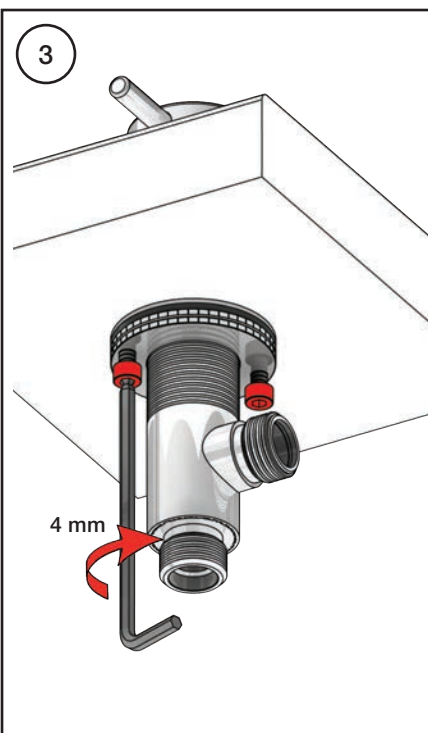


**Data, 3 Bar/43.5 Psi:**

	l/min.	Gal/min.
S50:	32,0	8.5
KV3:	30,0	7.9
KV4:	9,0	2.4
KV10, 15:	9,0	2.4
HV5, 8, 10:	9,0	2.4
SC2, 4 (A24):	16,0	4.2
SC6, 8, 11, 13: (C)	26,0	6.9

Max.  $65^\circ\text{C}$ ,  $150^\circ\text{F}$



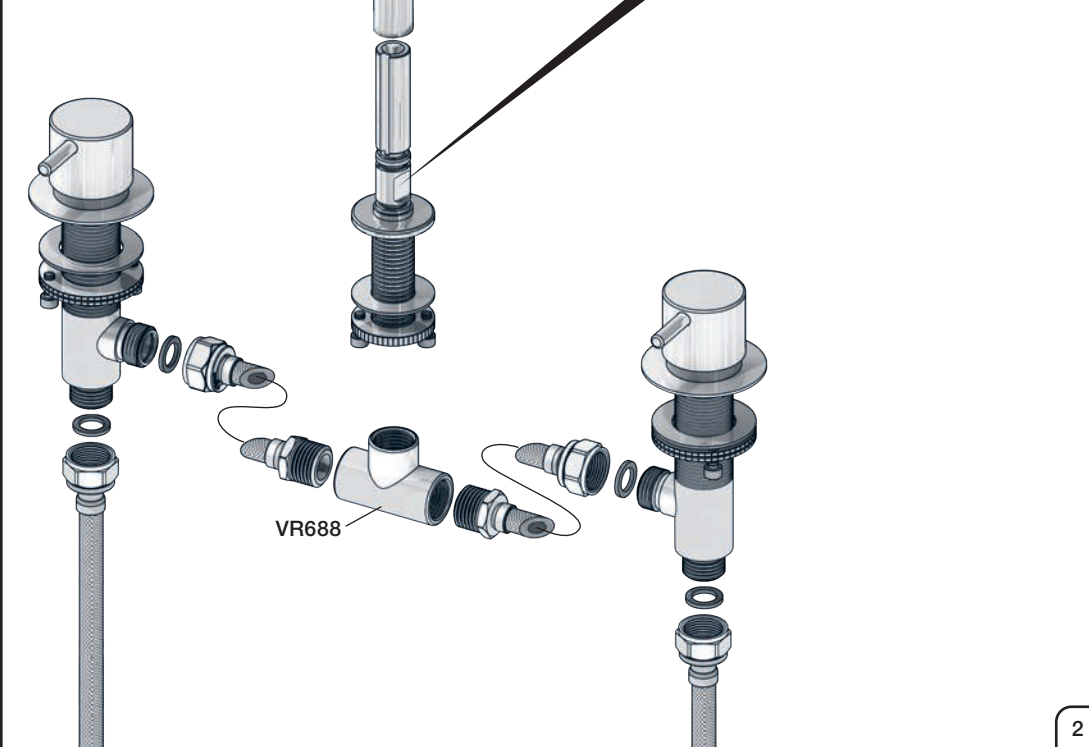
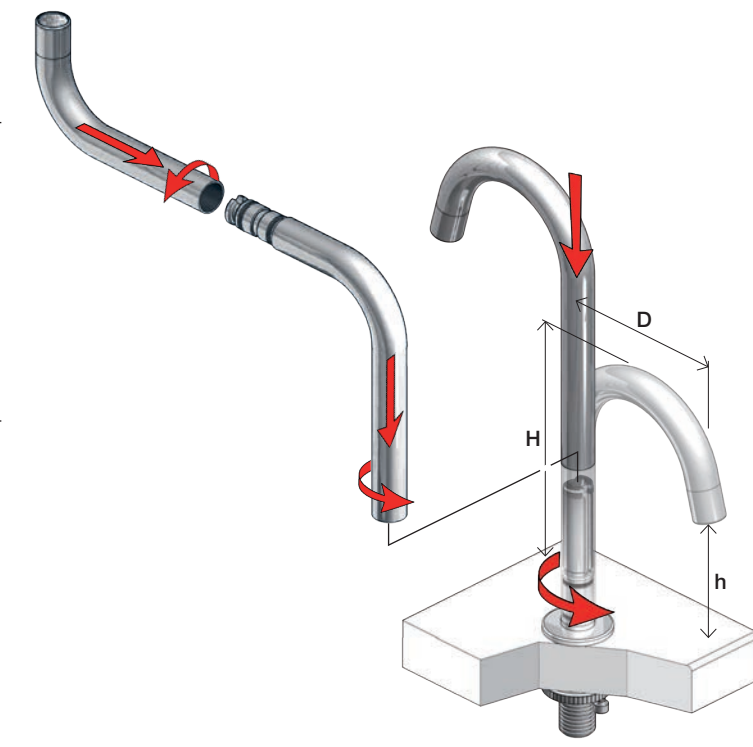


4A

mm:	H	D	h
090	210	200	145
090A	110	85	40
090B	185	100	114
090C	185	100	114
090D	220	200	130
090E	170	200	65
090G	185	140	105
090H	265	230	155
090I	325	230	216
090V	355	145	270

Inches:	H	D	h
090	8 1/2"	8"	5 3/4"
090A	4 1/4"	3 1/2"	1 1/2"
090B	7"	4"	4 1/2"
090C	7"	4"	4 1/2"
090D	8 3/4"	8"	5"
090E	6 3/4"	8"	2 1/2"
090G	7"	5 1/2"	4"
090H	10 1/2"	9"	6"
090I	12 3/4"	9"	8 1/2"
090V	14"	5 3/4"	10 1/2"



VOLA 090, 090A, 090B:  
 VOLA 090C, 090D, 090E:  
 VOLA 090G, 090H, 090I, 090V:

1 - 4

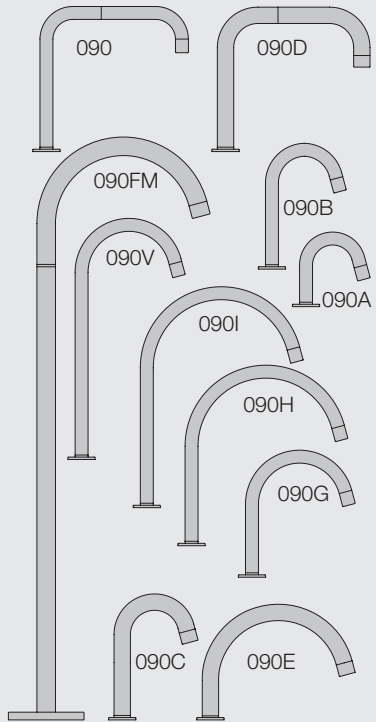
VOLA 090FM:

5

Fitting instruction      Monteringsvægledning  
 Montageanleitung      Montage hanledning  
 Monteringsvejledning    Manuel de montage



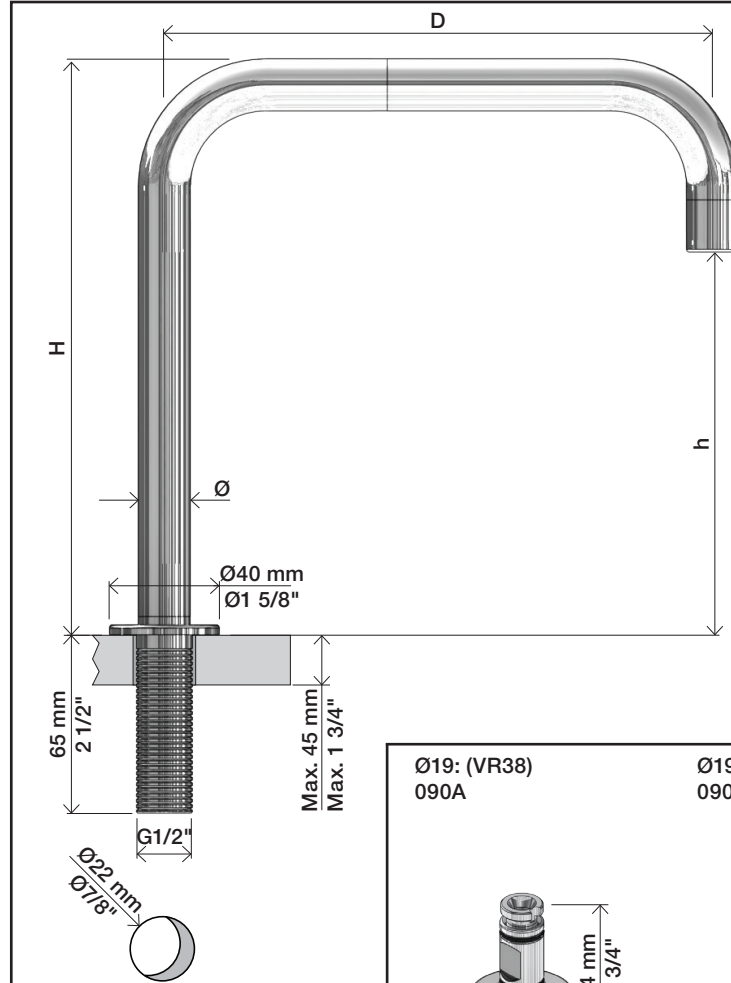
04/00045  
 04/00109



www.vola.com

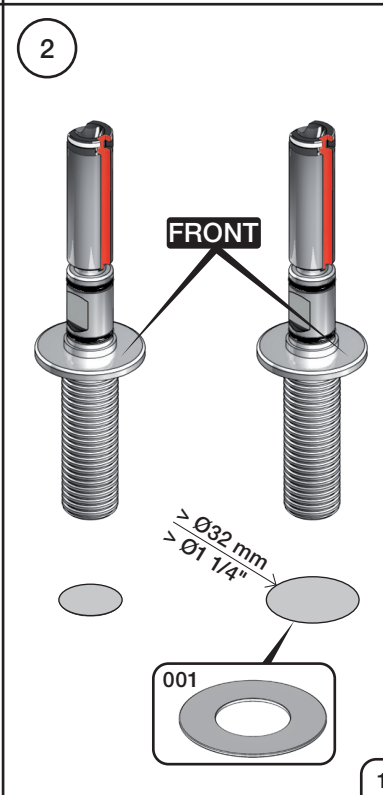
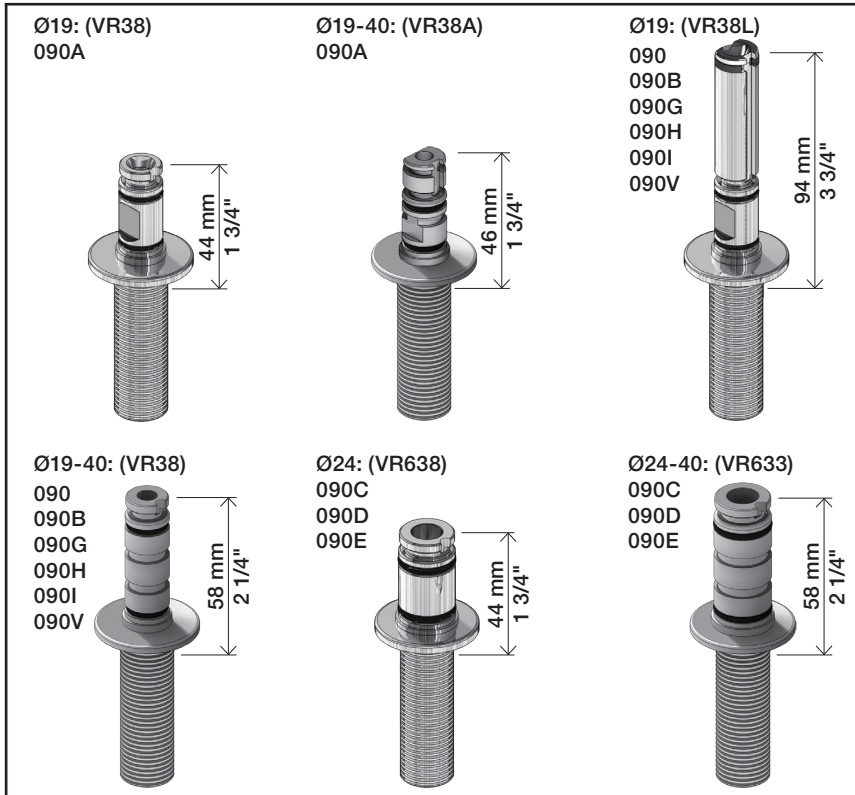
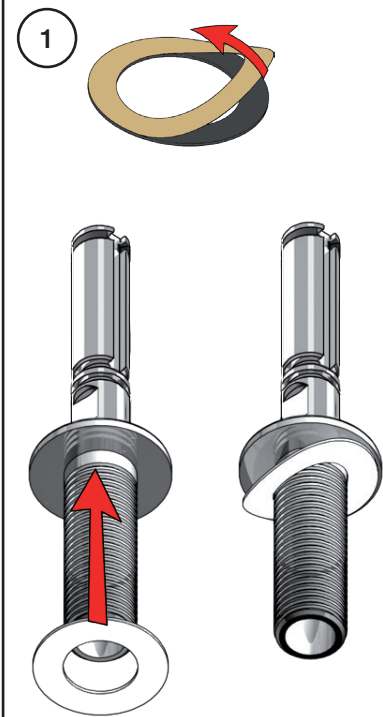


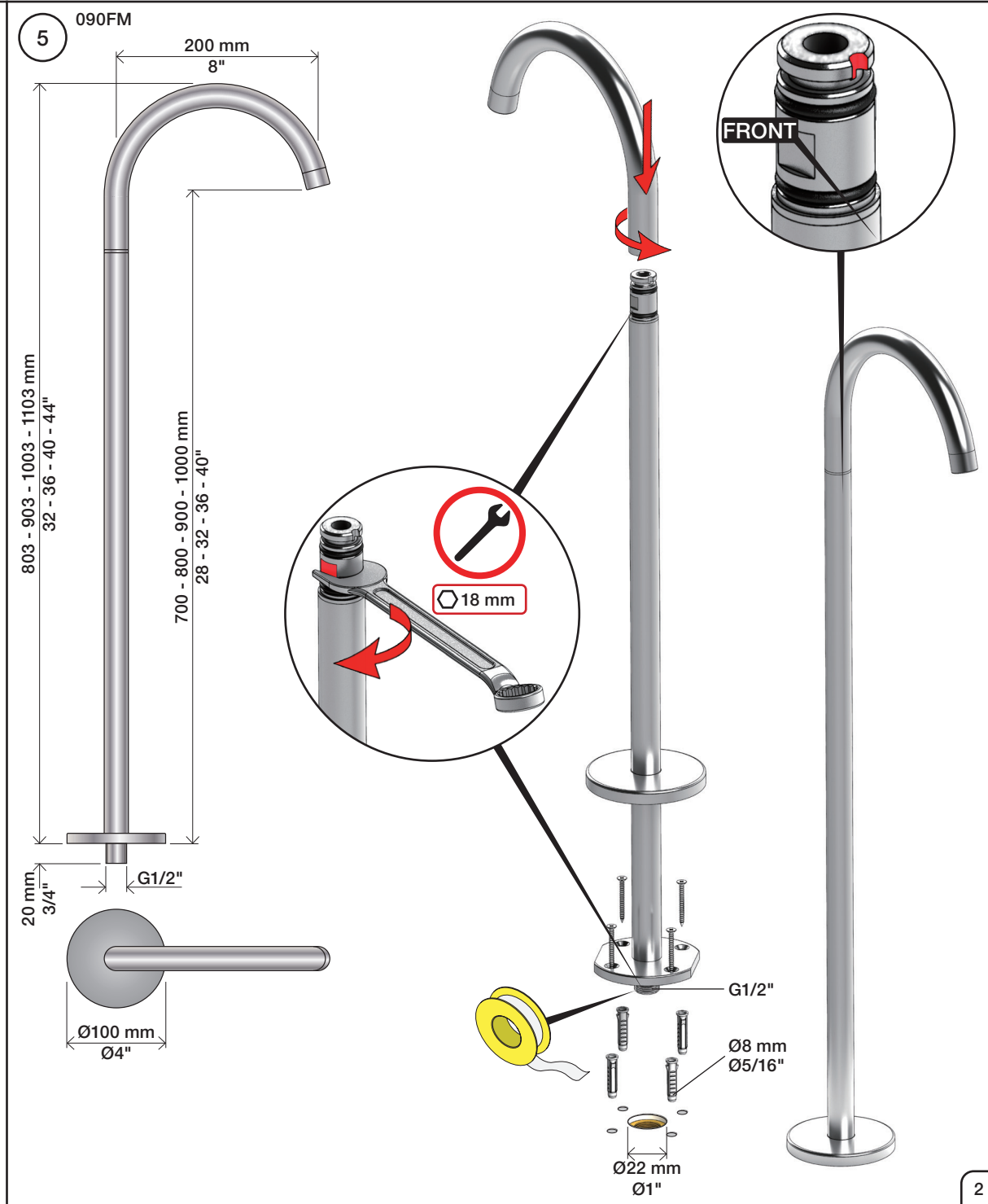
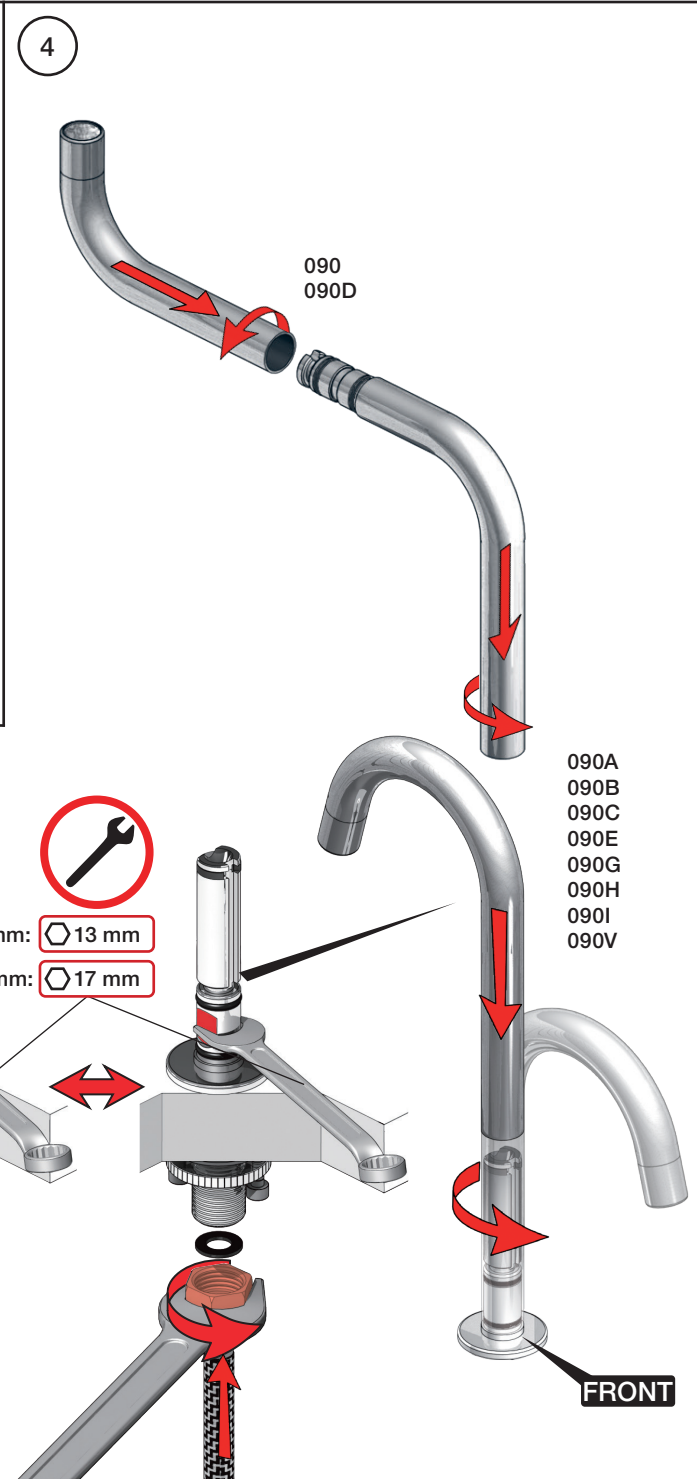
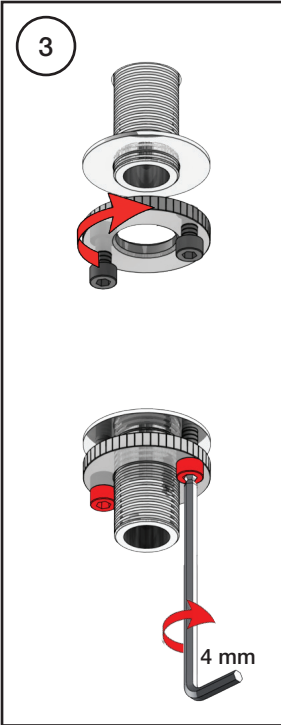
mnt\_090\_V4\_40999824  
 21-11-2023



mm:	Ø	H	D	h
090	19	210	200	145
090A	19	110	85	40
090B	19	185	100	114
090C	24	185	100	114
090D	24	220	200	130
090E	24	170	200	65
090G	19	185	140	105
090H	19	265	220	155
090I	19	325	220	215
090V	19	355	145	270

Inches:	Ø	H	D	h
090	3/4"	8 1/4"	8"	5 3/4"
090A	3/4"	4 1/4"	3 1/2"	1 1/2"
090B	3/4"	7"	4"	4 1/2"
090C	1"	7"	4"	4 1/2"
090D	1"	8 3/4"	8"	5"
090E	1"	6 3/4"	8"	2 1/2"
090G	3/4"	7"	5 1/2"	4"
090H	3/4"	10 1/2"	8 5/8"	6"
090I	3/4"	12 3/4"	8 5/8"	8 1/2"
090V	3/4"	14"	5 3/4"	10 1/2"



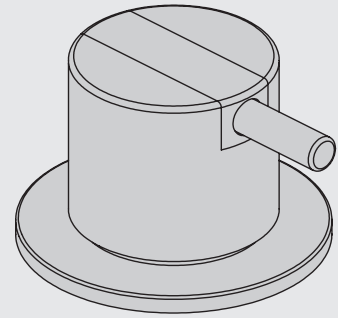


VOLA 500, 590, 500T1  
 VOLA 2500  
 VOLA SC1, SC3, SC5, SC7, SC9, SC10, SC12

Fitting instruction  
 Montageanleitung  
 Monteringsvejledning  
 Monteringsvægledning  
 Montage hanleiding  
 Manuel de montage



04/00027  
 04/00038



www.vola.com  
 500 - 2500\_V0\_40998137  
 02-10-2023

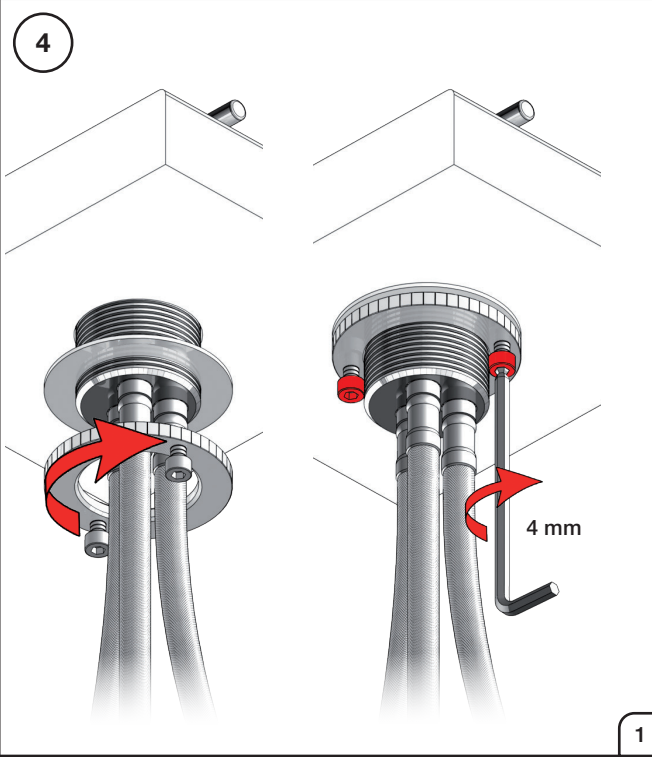
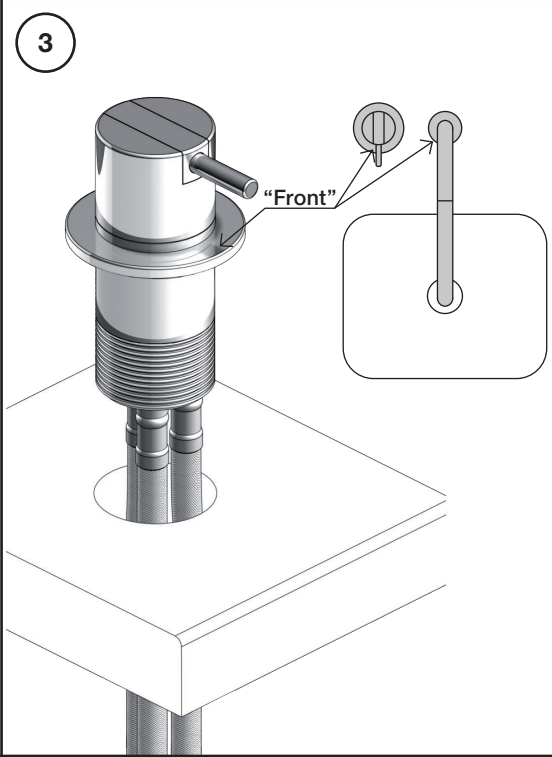
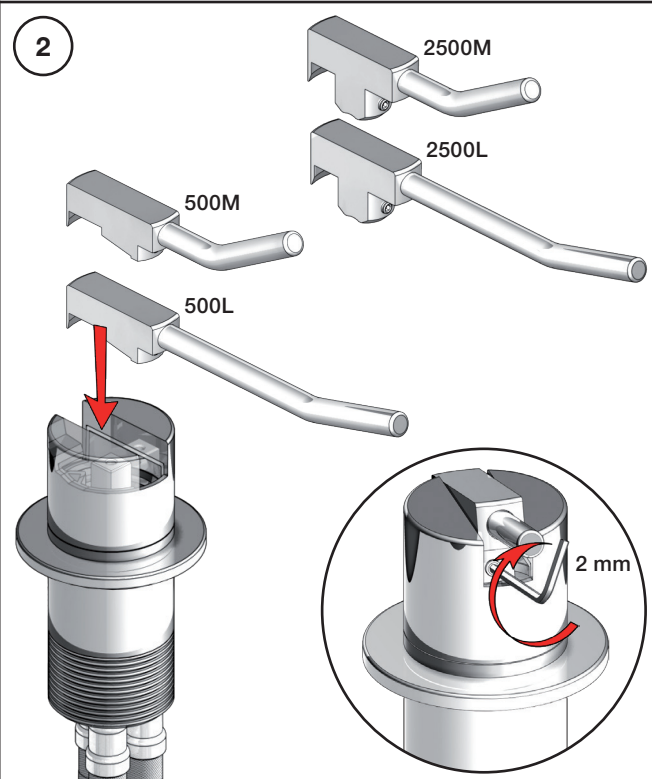
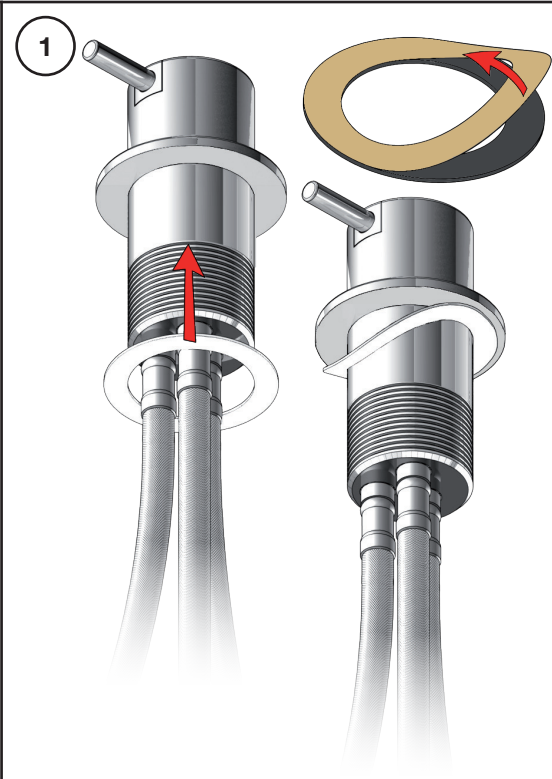
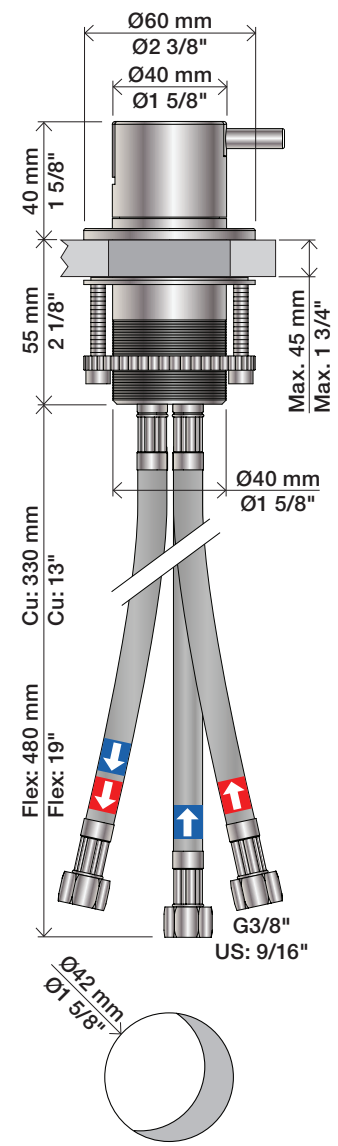


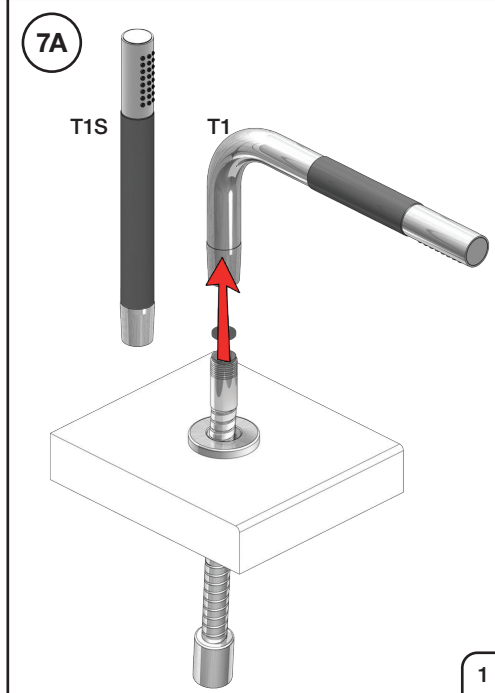
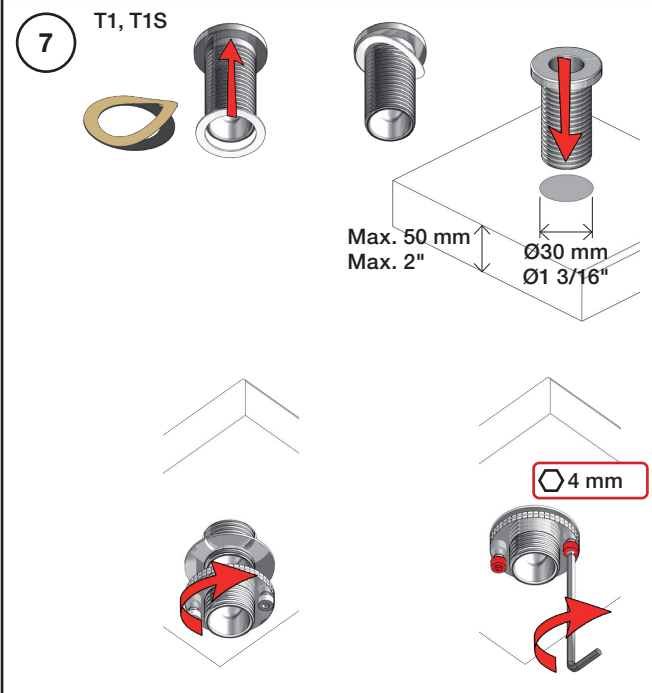
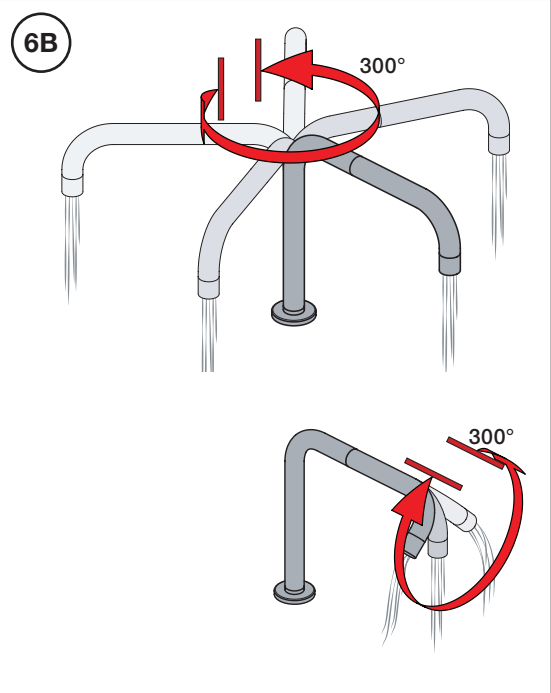
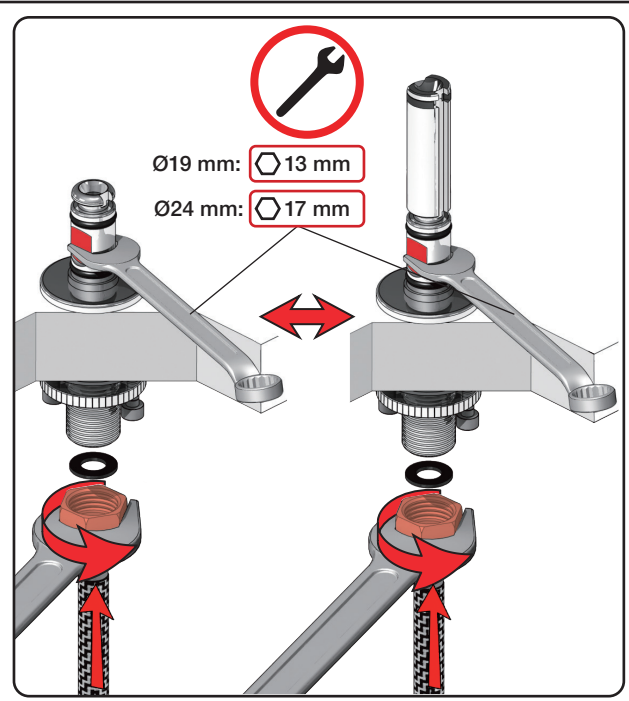
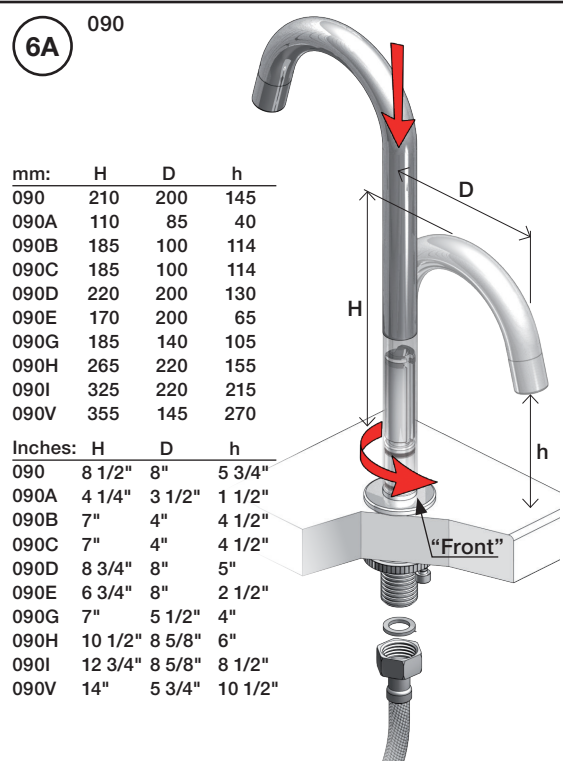
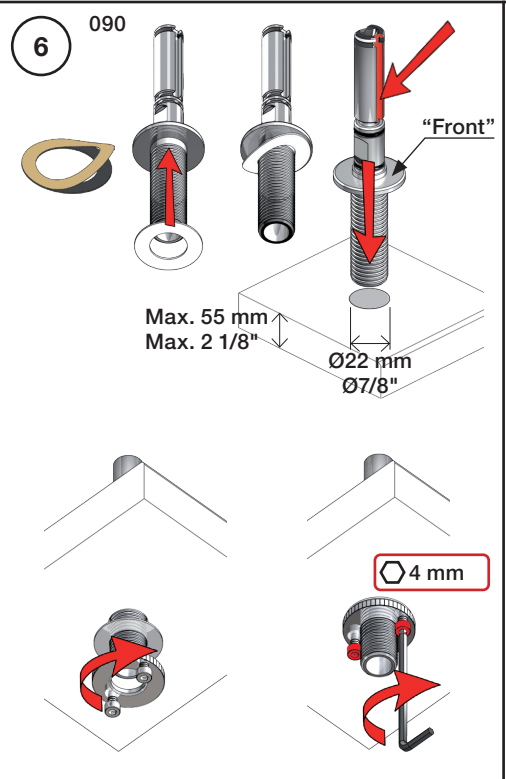
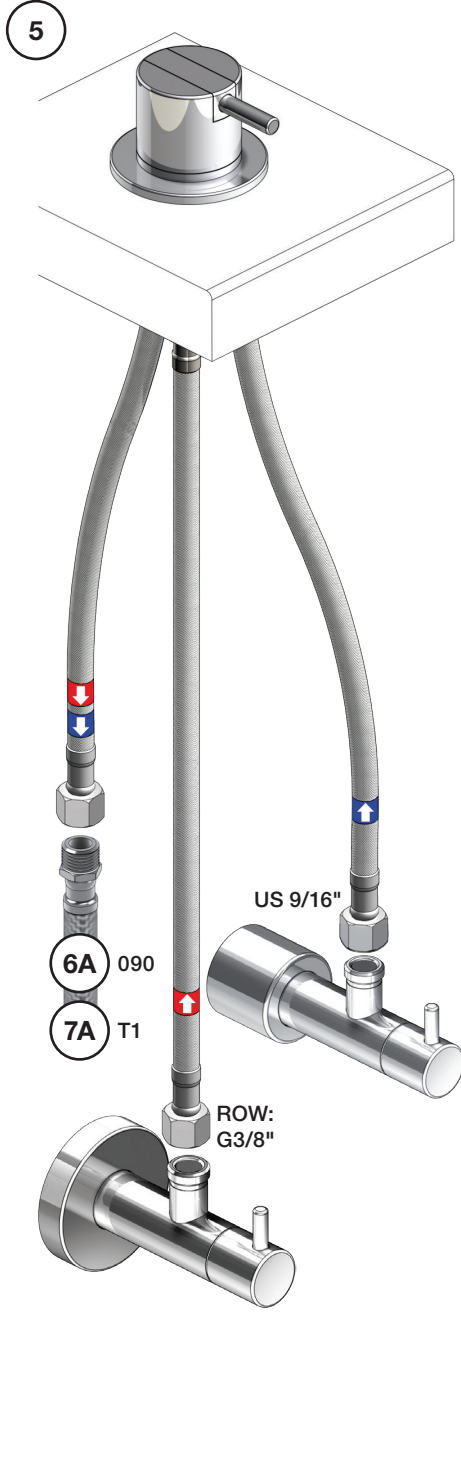
**Data, 3 Bar /43.5 Psi:**

	l/min.	Gal/min.
500:	14,5	3,8
590:	9,0	2,4
500-T1:	11,0	2,9
2500:	18,7	4,9
SC1:	18,7	4,9
SC5, 7:	18,0	4,8
SC9:	11,0	2,9

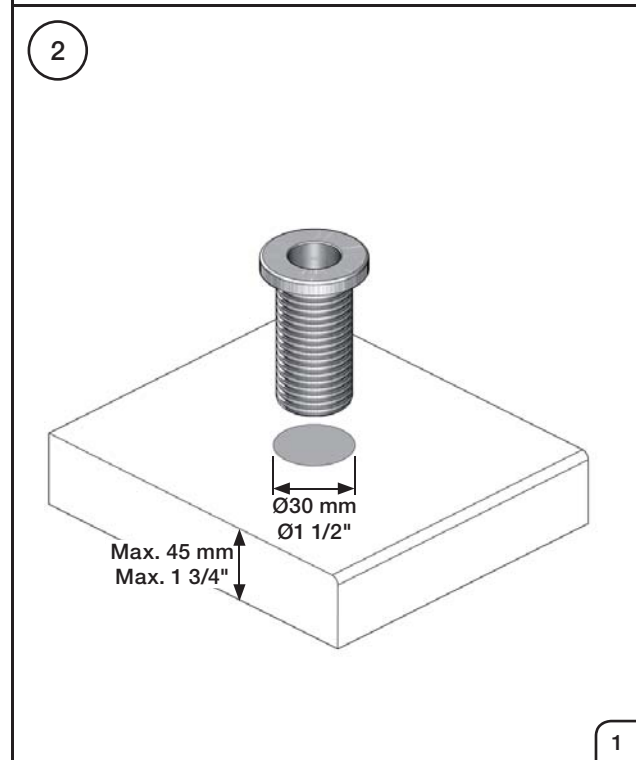
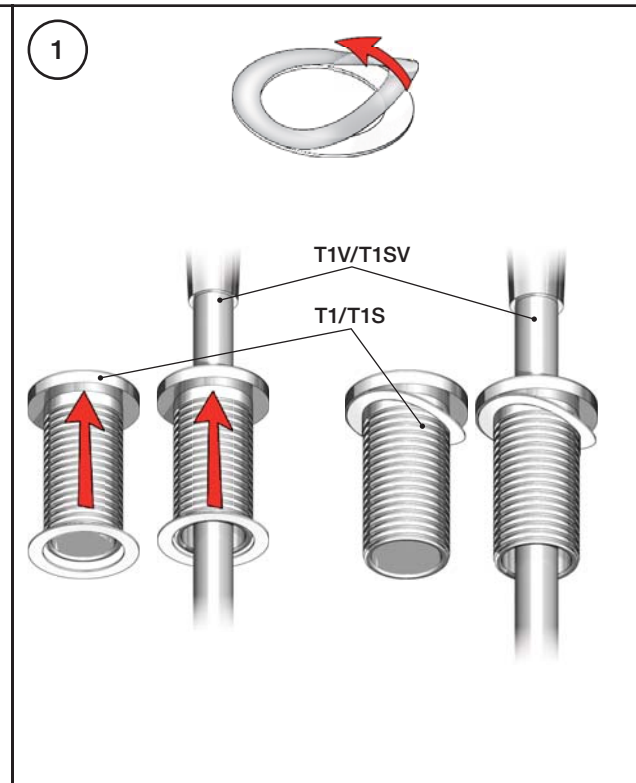
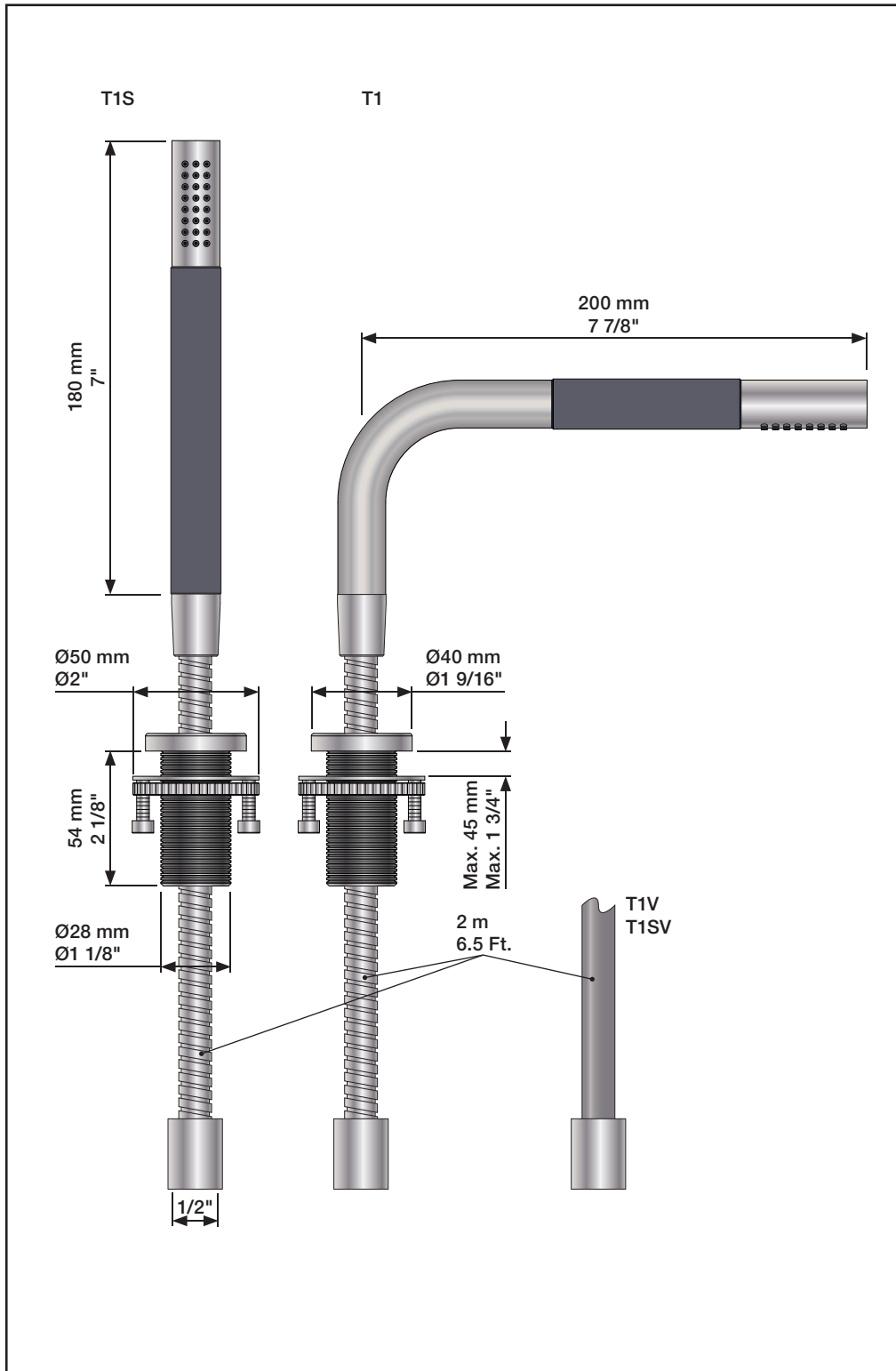
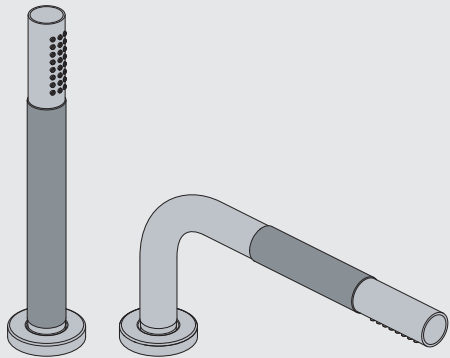
Max. 65°C, 150°F

500/2500:

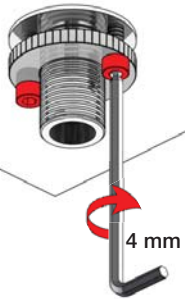
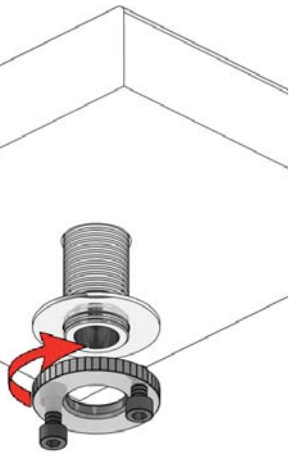




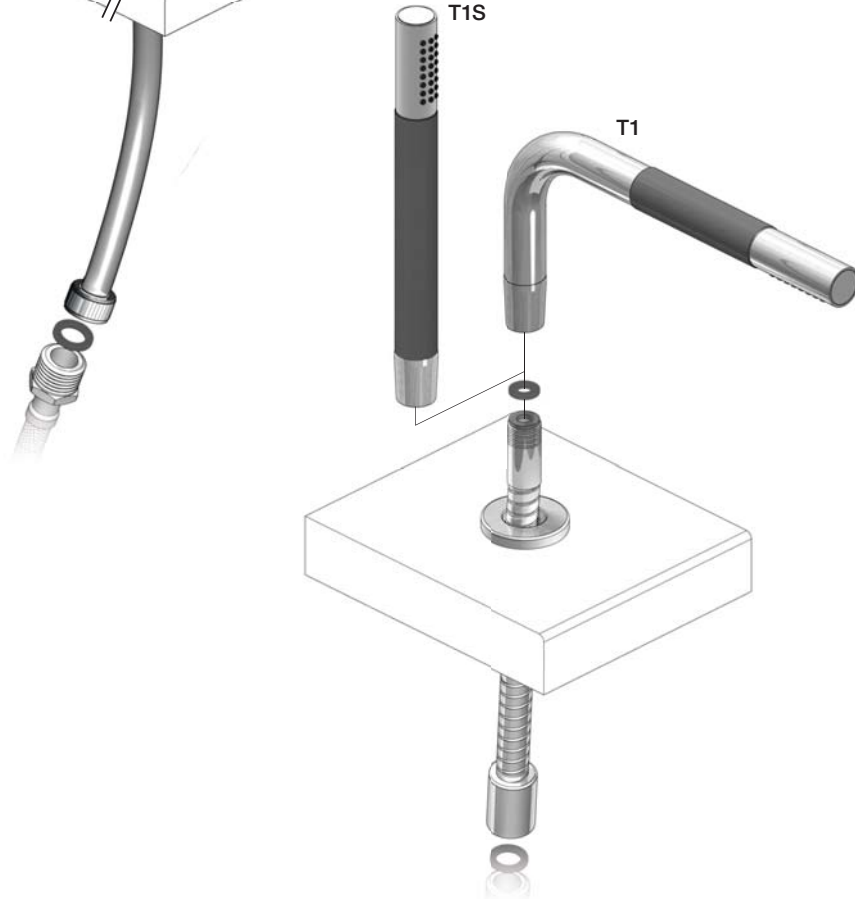
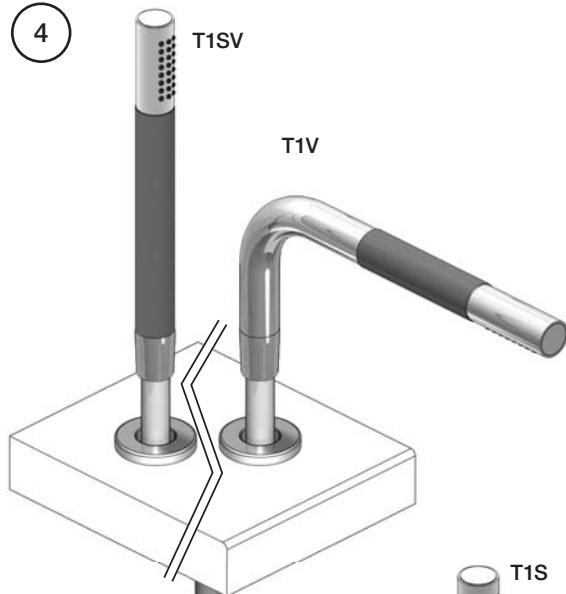
Fitting instruction  
 Montageanleitung  
 Monteringsvejledning  
 Monteringsvægledning  
 Montage hanleiding  
 Manuel de montage



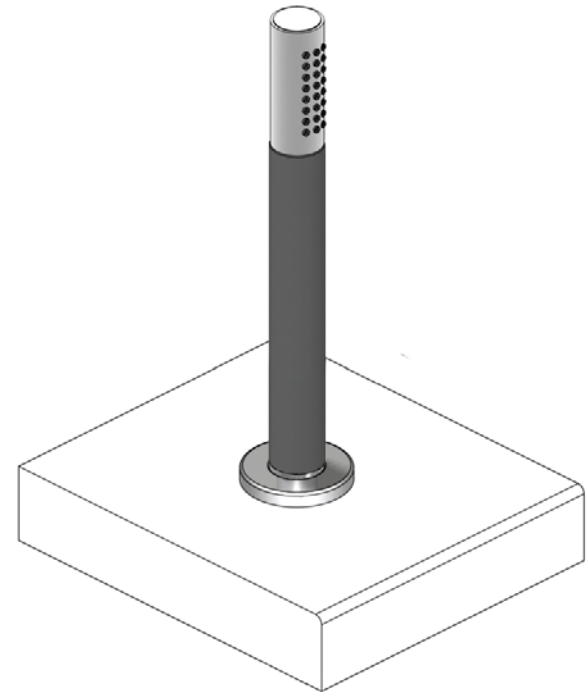
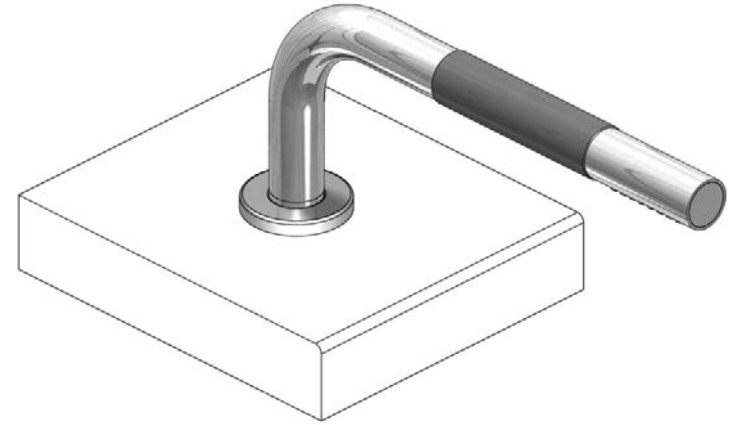
3



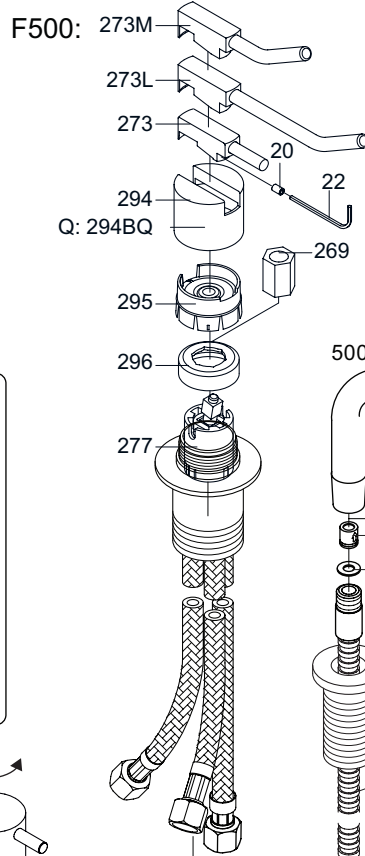
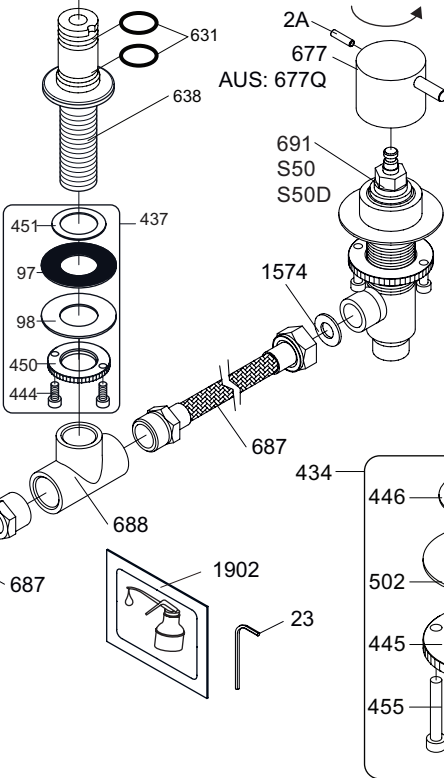
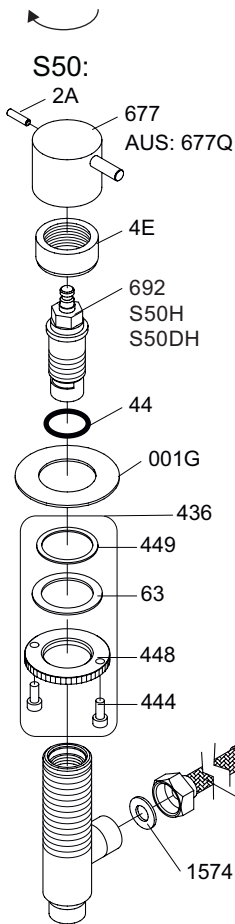
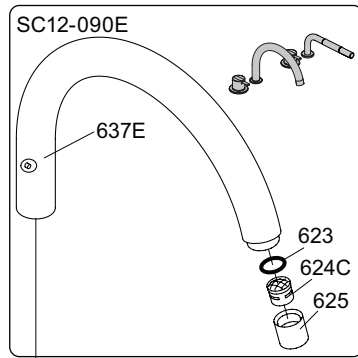
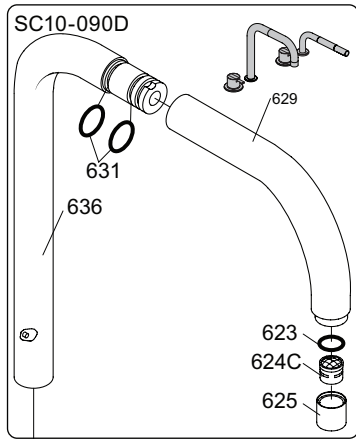
4



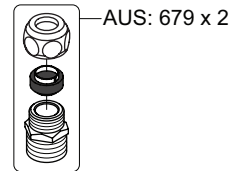
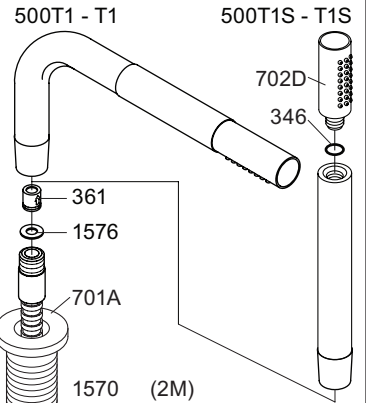
5







T1M:

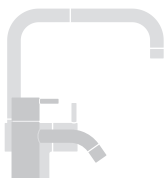


500: Ø10  
500US: Ø3/8"  
2500: Ø10  
2500US: Ø3/8"

Ø3/8"

VR277K: VR22, VR269, VR277  
VR297: VR20, VR22, VR269, VR273, VR277, VR294, VR295, VR296  
VR434: VR261, VR263, VR440, VR442, 2xVR455  
VR435: VR63, 2xVR444, VR447, VR448  
VR436: VR63, 2xVR444, VR448, VR449

VR691K: VR23, VR691  
VR692K: VR23, VR692  
NR.7: VR2A, VR23, VR677  
NR.10: VR20, VR22, VR293, VR294, VR295



vola

Lunavej 2  
DK-8700 Horsens  
Tlf : + 45 7023 5500  
sales@vola.com  
www.vola.com

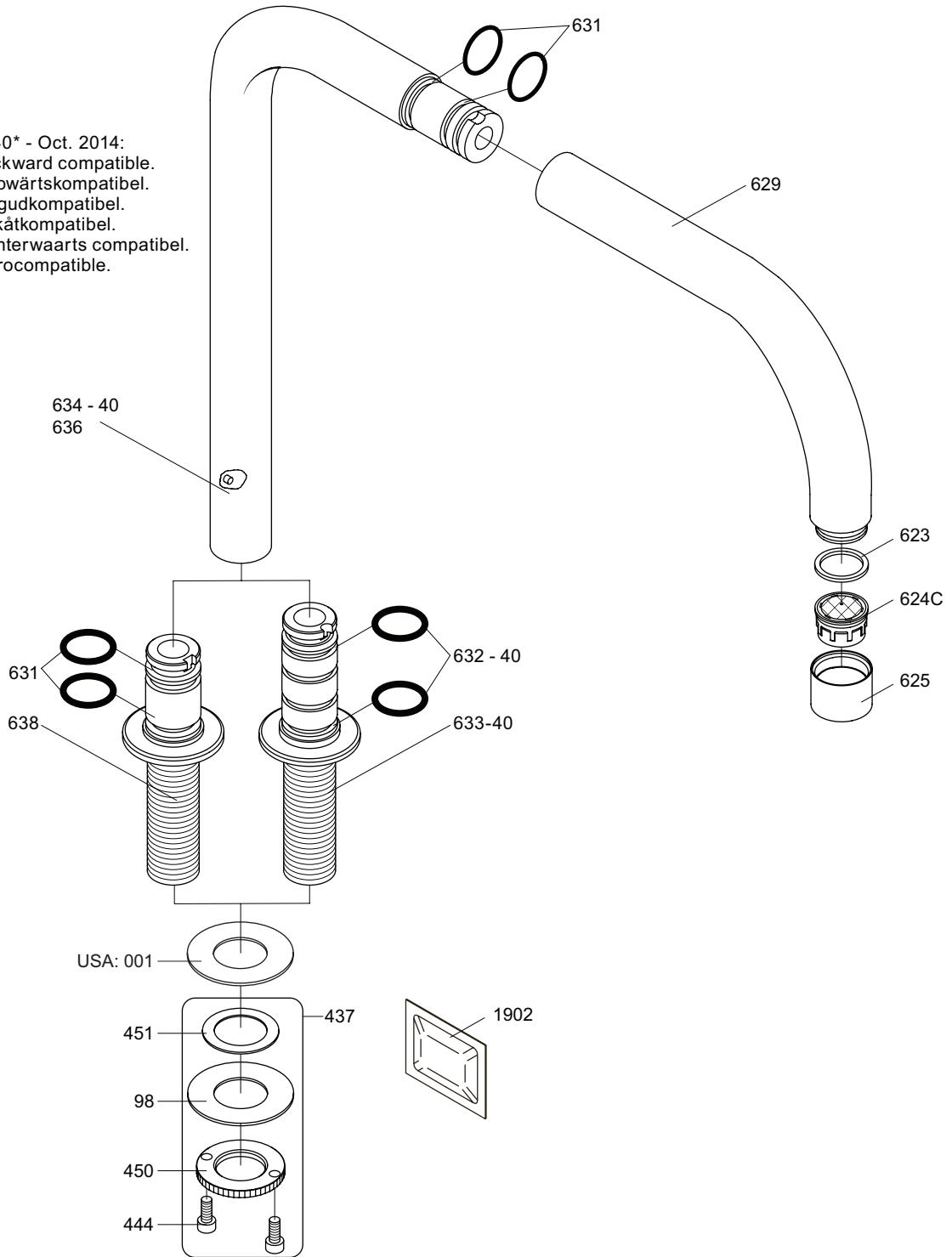
## VOLA SC11, SC13

Date  
Jan. 23

Rev.  
3

Sheet  
SB 29.69

634D-40\* - Oct. 2014:  
 Not backward compatible.  
 Nicht abwärtskompatibel.  
 Ikke bagudkompatibel.  
 Inte bakåtcompatibel.  
 Niet achterwaarts compatibel.  
 Pas rétrocompatible.



VR090D/C: VR623, VR624C, 4xVR631, VR1902  
 VR090D/C-40: VR623, VR624C, 2xVR631, 2xVR632, VR1902  
 VR437: VR98, 2xVR444, VR450, VR451



vola  
 Lunavej 2  
 DK-8700 Horsens  
 Tlf : + 45 7023 5500  
 sales@vola.com  
 www.vola.com

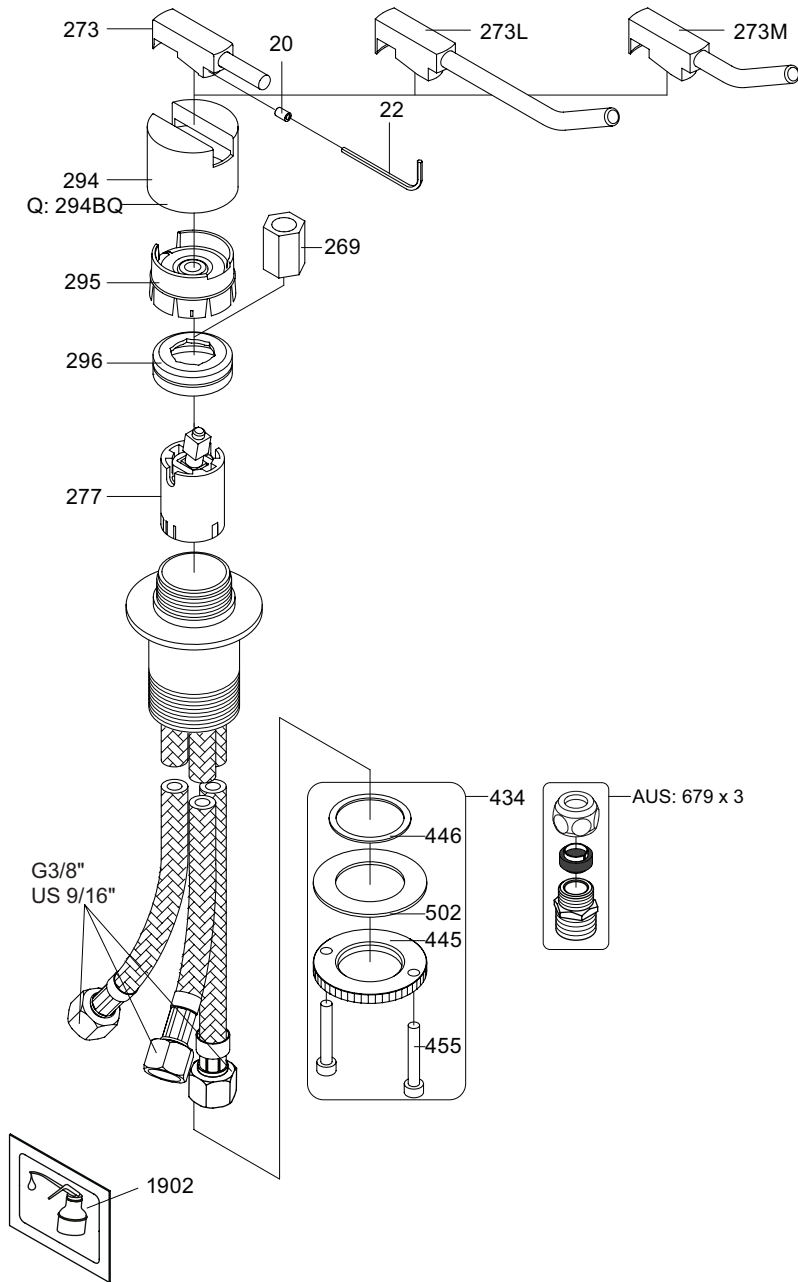
**VOLA 090D**

Date  
 Oct. 14

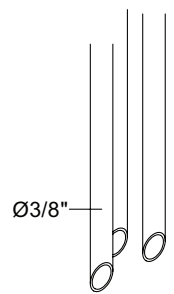
Rev.  
 1

Sheet  
 SB 18.1

500:



500: Ø10  
500US: Ø3/8"



- VR277K: VR22, VR269, VR277
- VR297: VR20, VR22, VR269, VR273, VR277, VR294, VR295, VR296
- VR434: 2xVR444, VR445, 2xVR455, VR502
- NR.10: VR20, VR22, VR273, VR294, VR295

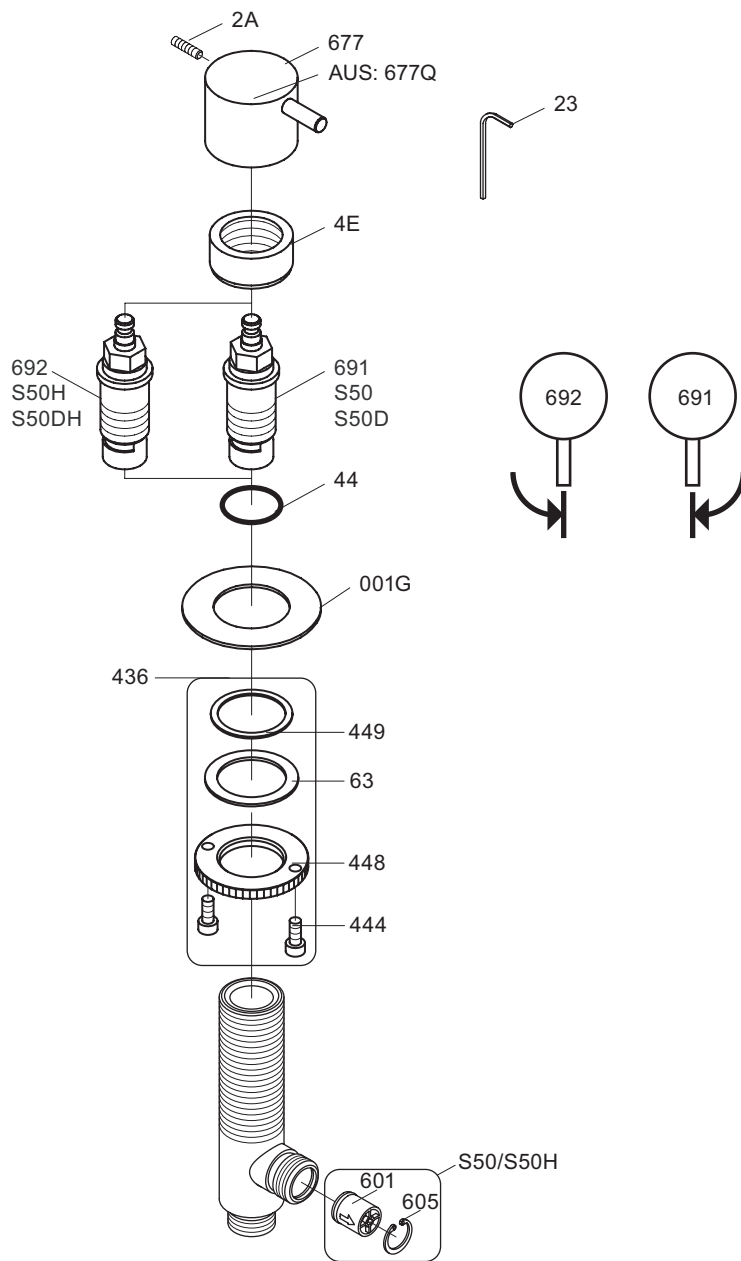


# VOLA 500/M/L

Date  
Jan. 23

Rev.  
4

Sheet  
SB 4.1



VR691i: VR23, VR44, VR691  
 VR692i: VR23, VR44, VR692  
 VR436: VR63, 2xVR444, VR448, VR449  
 NR.7: VR2A, VR23, VR677



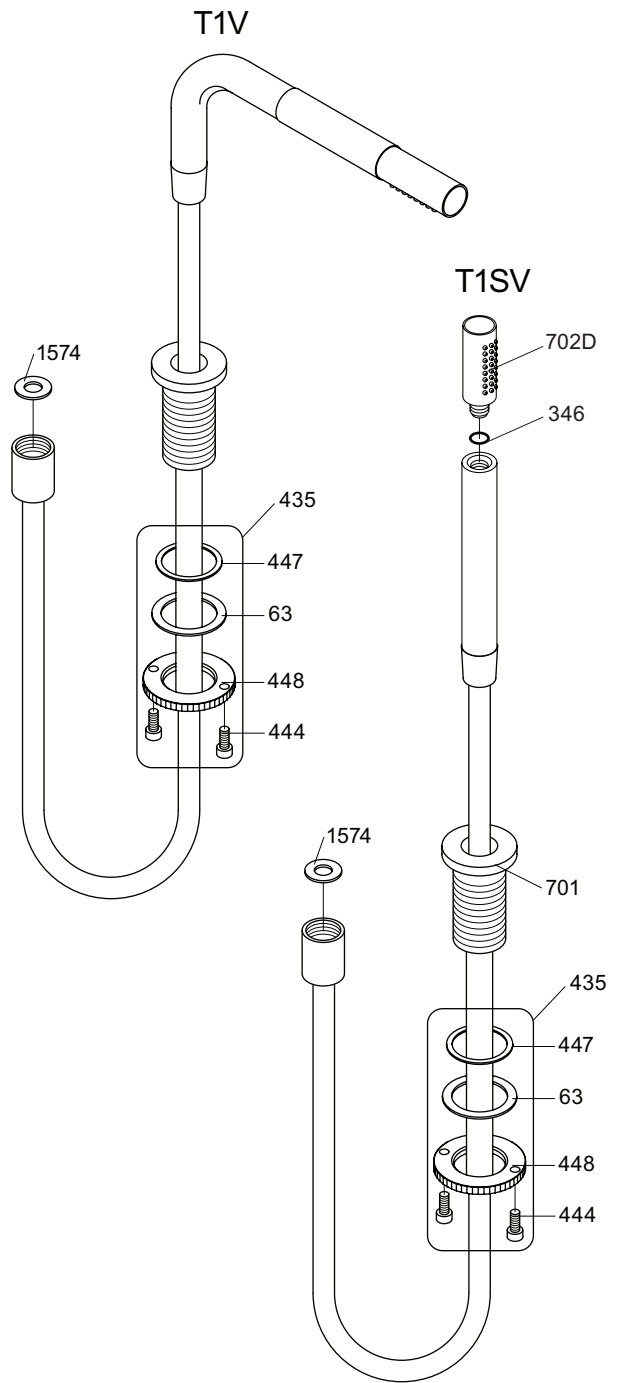
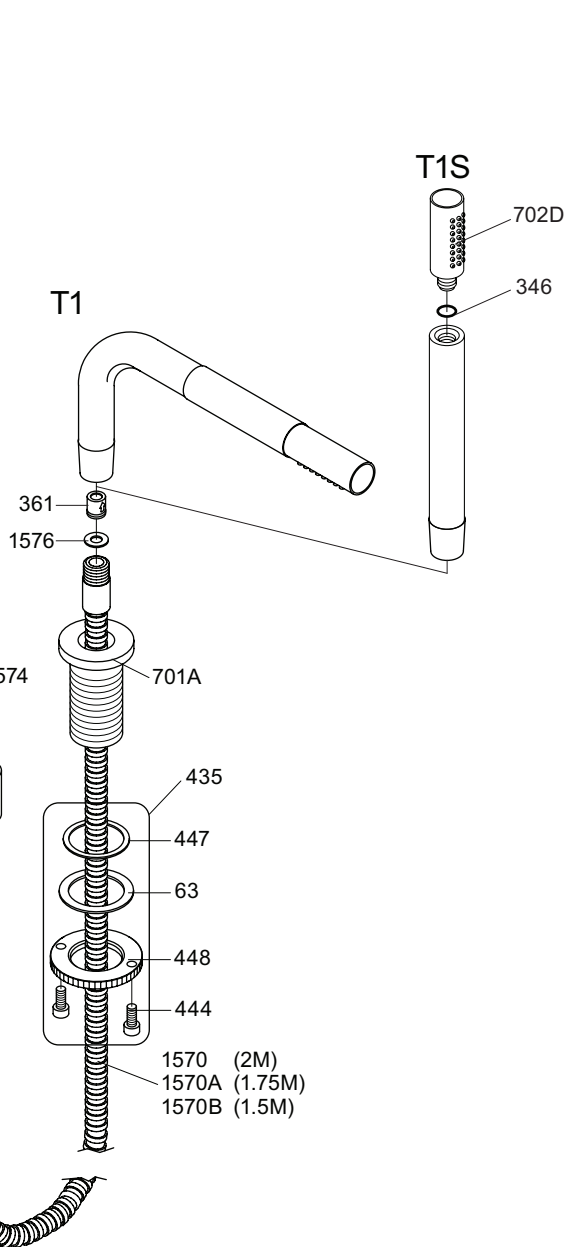
vola  
 Lunavej 2  
 DK-8700 Horsens  
 Tlf : + 45 7023 5500  
 sales@vola.com  
 www.vola.com

**VOLA S50/S50H**  
**VOLA S50D/S50DH**

Date  
 Sep. 09

Rev.  
 2

Sheet  
 SB 31.3



VR435: VR63, 2xVR444, VR447, VR448



**vola**  
Lunavej 2  
DK-8700 Horsens  
Tlf : + 45 7023 5500  
Fax: + 45 7023 5511  
sales@vola.com  
www.vola.com

# VOLA T1, T1S T1V, T1SV

Date  
Jun. 17

Rev.  
6

Sheet  
SB 39