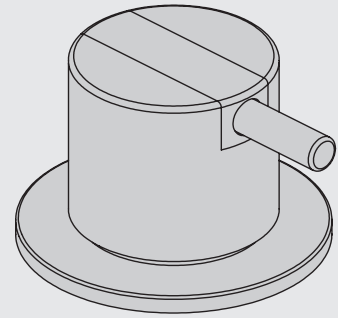


VOLA 500, 590, 500T1
 VOLA 2500
 VOLA SC1, SC3, SC5, SC7, SC9, SC10, SC12

Fitting instruction
 Montageanleitung
 Monteringsvejledning
 Monteringsvægledning
 Montage hanleiding
 Manuel de montage



04/00027
 04/00038

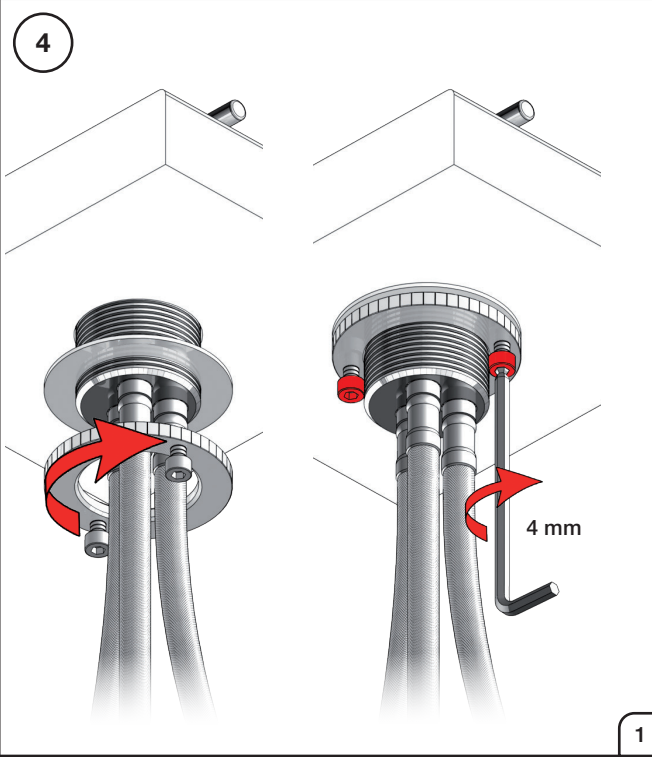
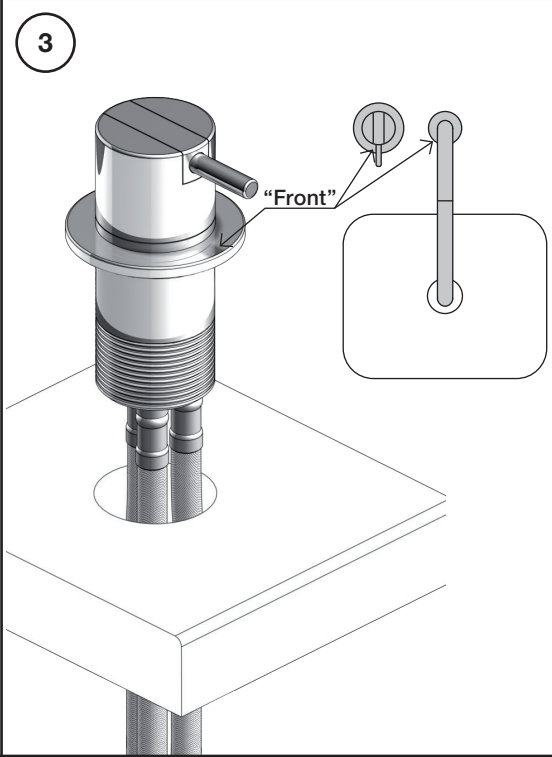
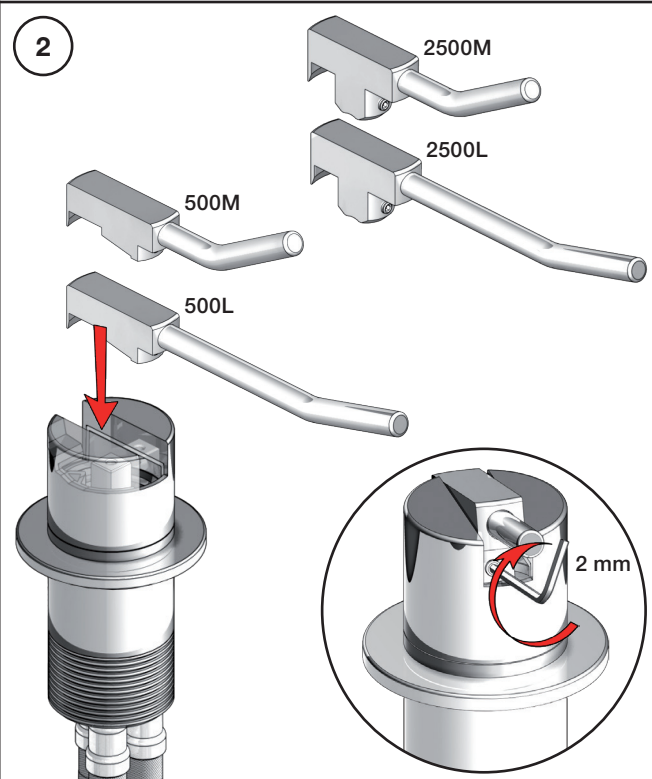
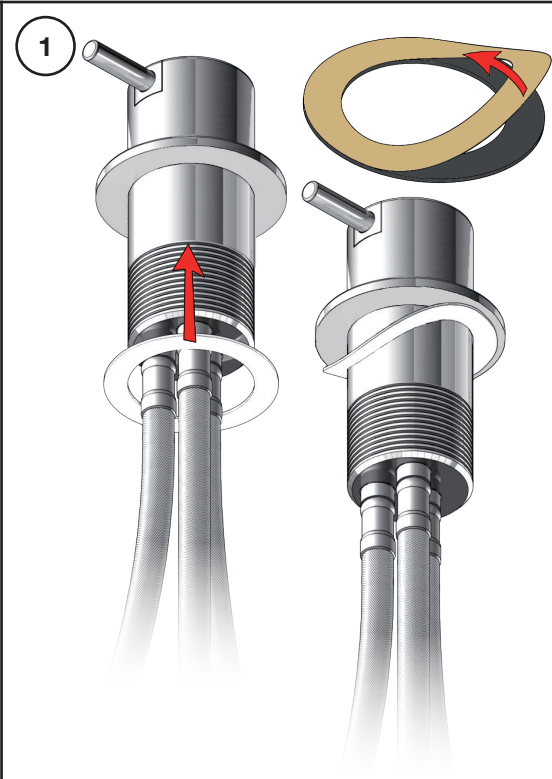
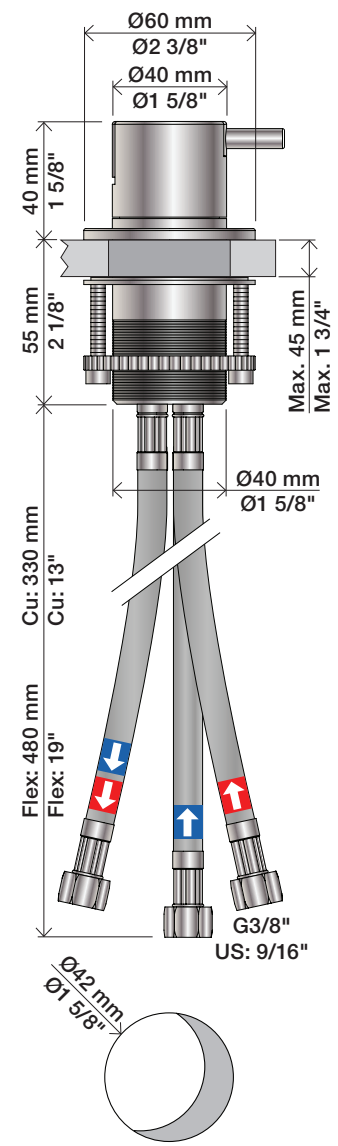


Data, 3 Bar /43.5 Psi:

| | l/min. | Gal/min. |
|---------|--------|----------|
| 500: | 14,5 | 3,8 |
| 590: | 9,0 | 2,4 |
| 500-T1: | 11,0 | 2,9 |
| 2500: | 18,7 | 4,9 |
| SC1: | 18,7 | 4,9 |
| SC5, 7: | 18,0 | 4,8 |
| SC9: | 11,0 | 2,9 |

Max. 65°C, 150°F

500/2500:



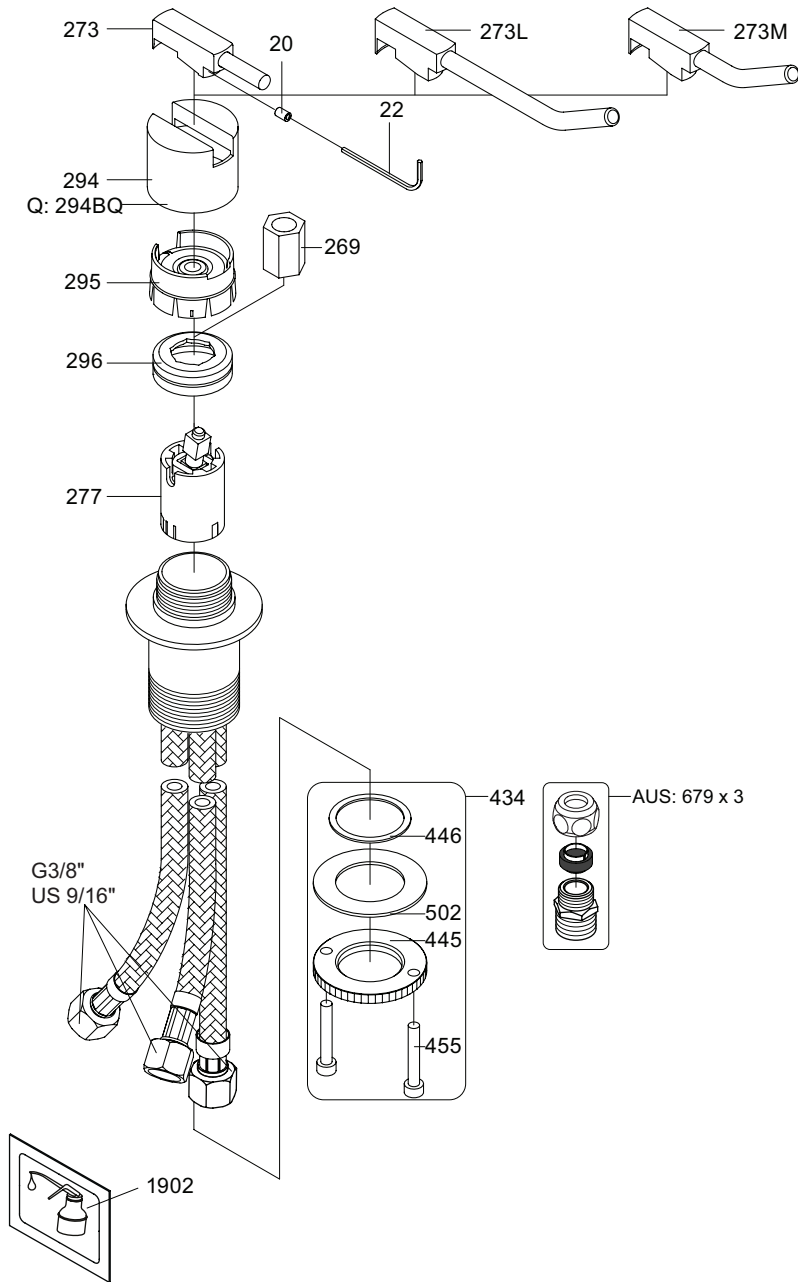
www.vola.com
 500 - 2500_V0_40998137
 02-10-2023



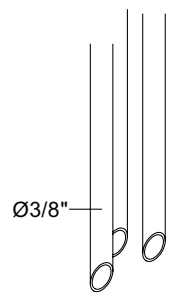
vola



500:



500: Ø10
500US: Ø3/8"



- VR277K: VR22, VR269, VR277
- VR297: VR20, VR22, VR269, VR273, VR277, VR294, VR295, VR296
- VR434: 2xVR444, VR445, 2xVR455, VR502
- NR.10: VR20, VR22, VR273, VR294, VR295



vola
 Lunavej 2
 DK-8700 Horsens
 Tlf : + 45 7023 5500
 sales@vola.com
 www.vola.com

VOLA 500/M/L

Date
Jan. 23

Rev.
4

Sheet
SB 4.1