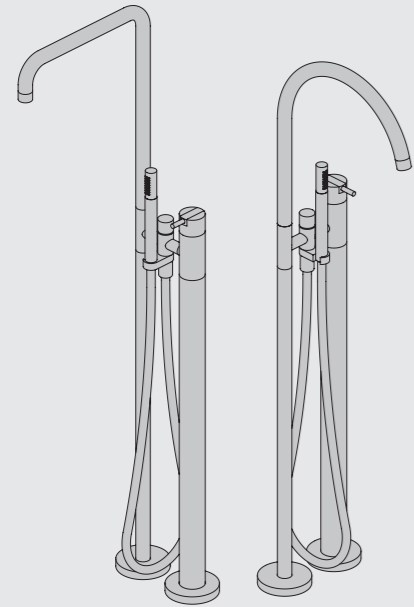


VOLA FS1 & FS5

Fitting instruction
Montageanleitung
Monteringsvejledning

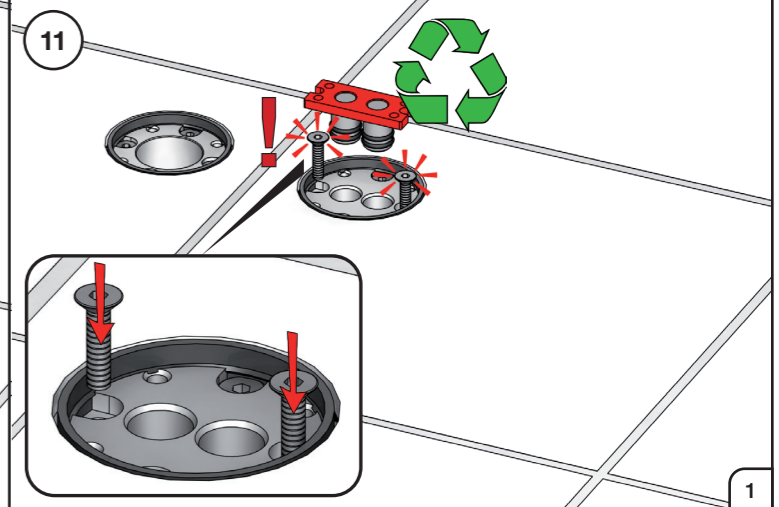
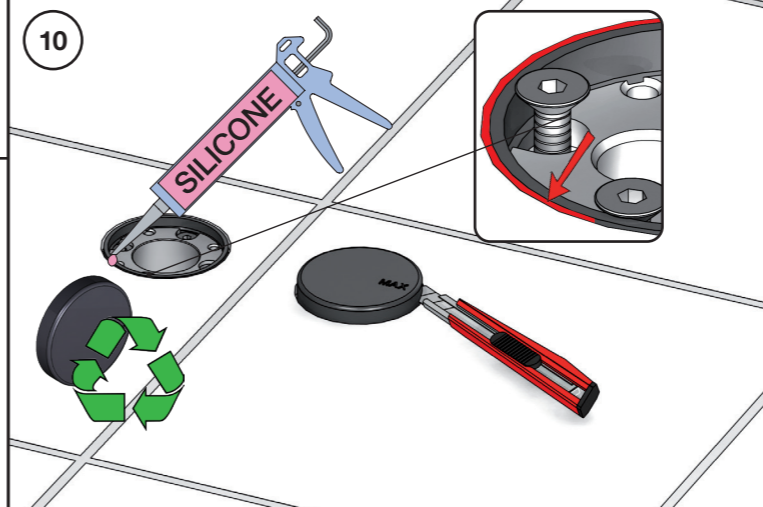
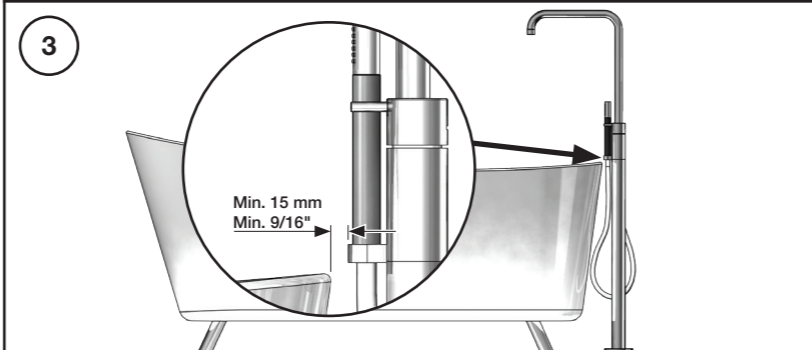
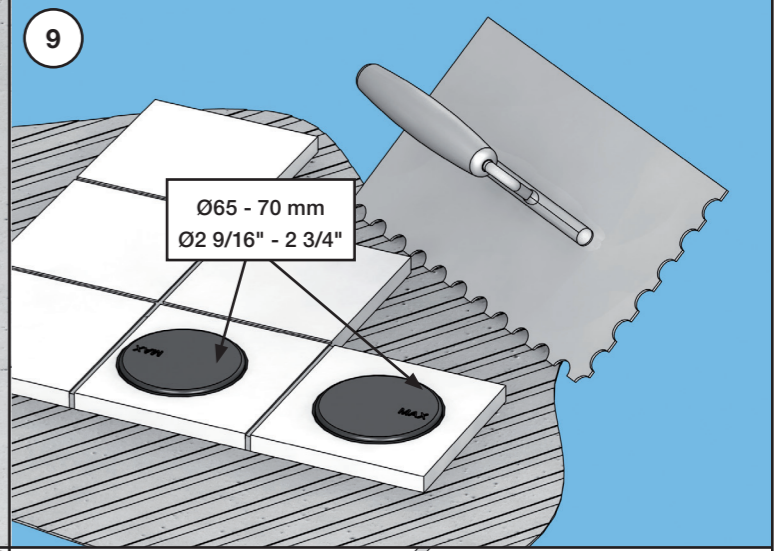
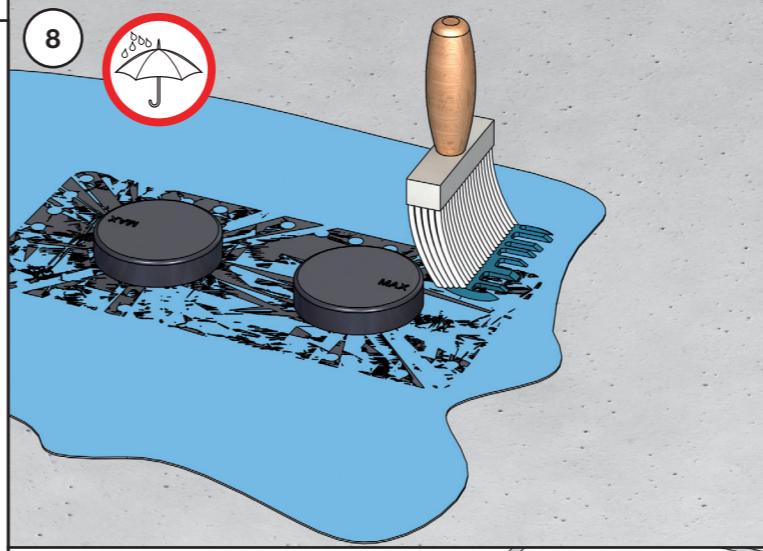
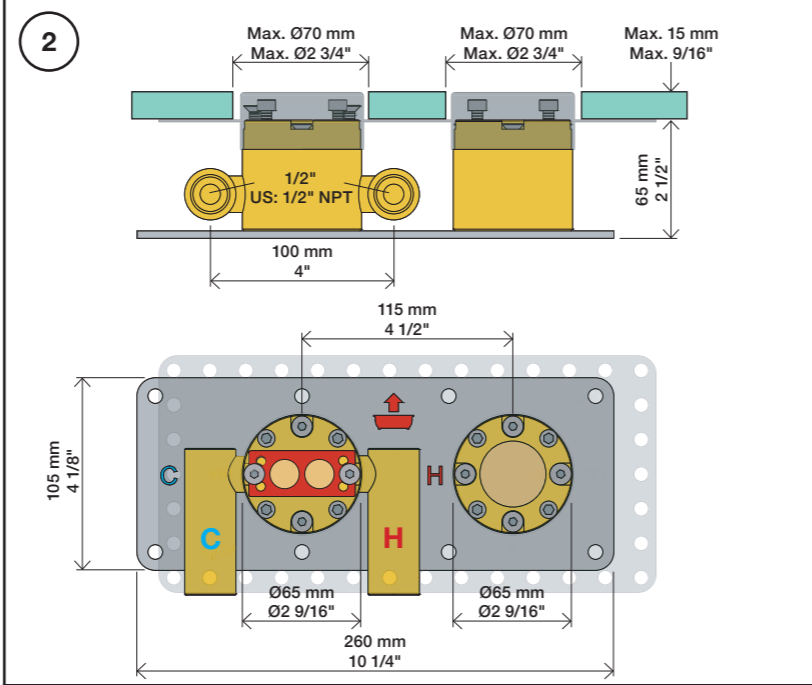
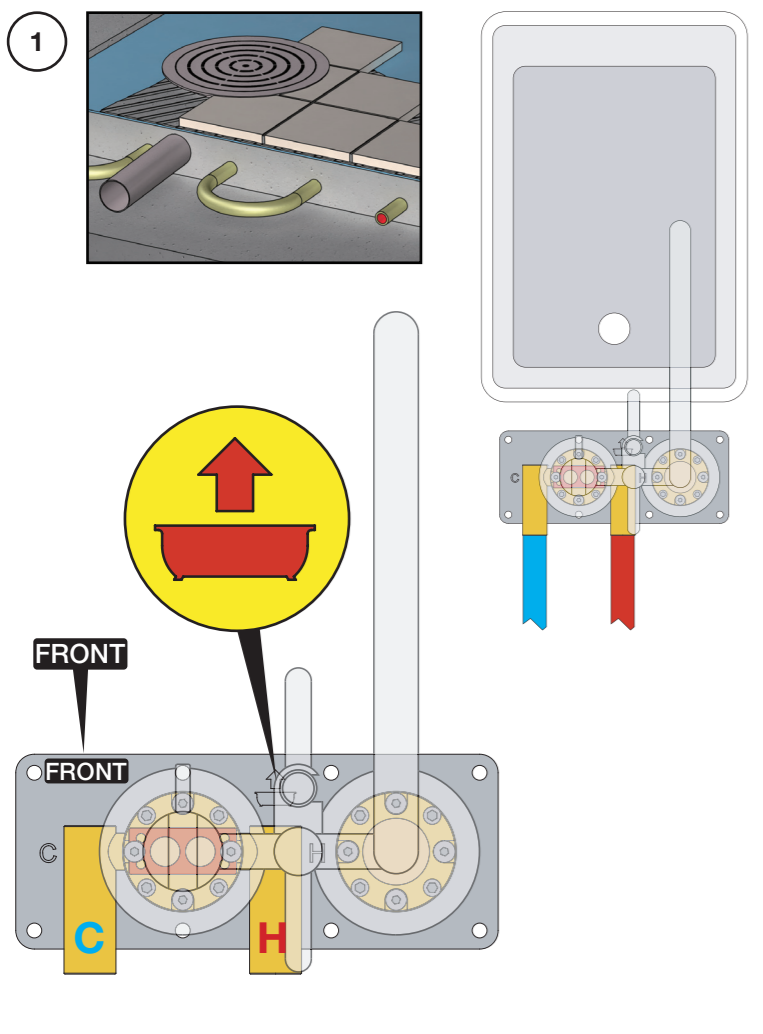
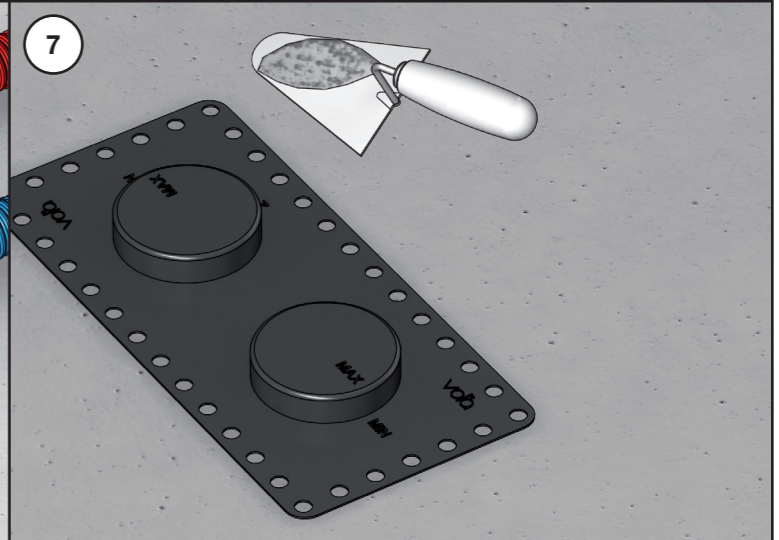
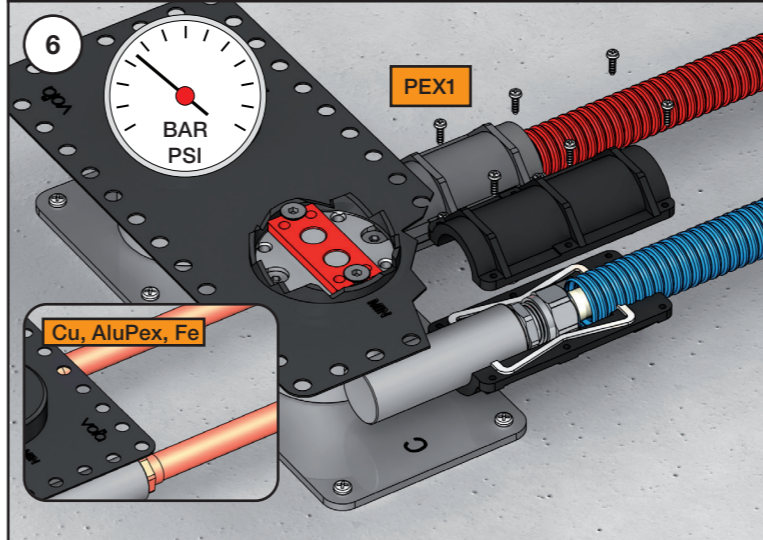
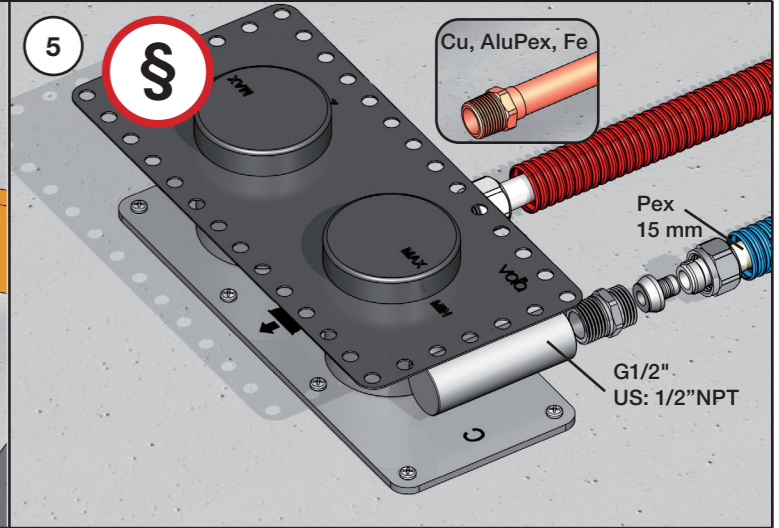
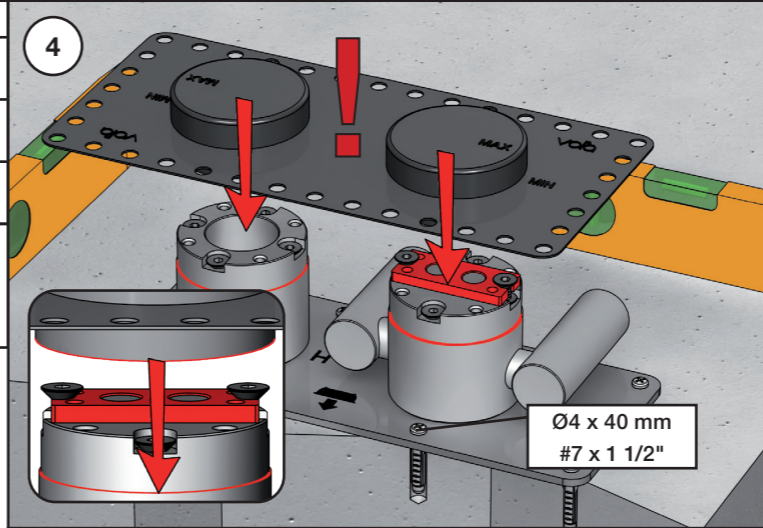
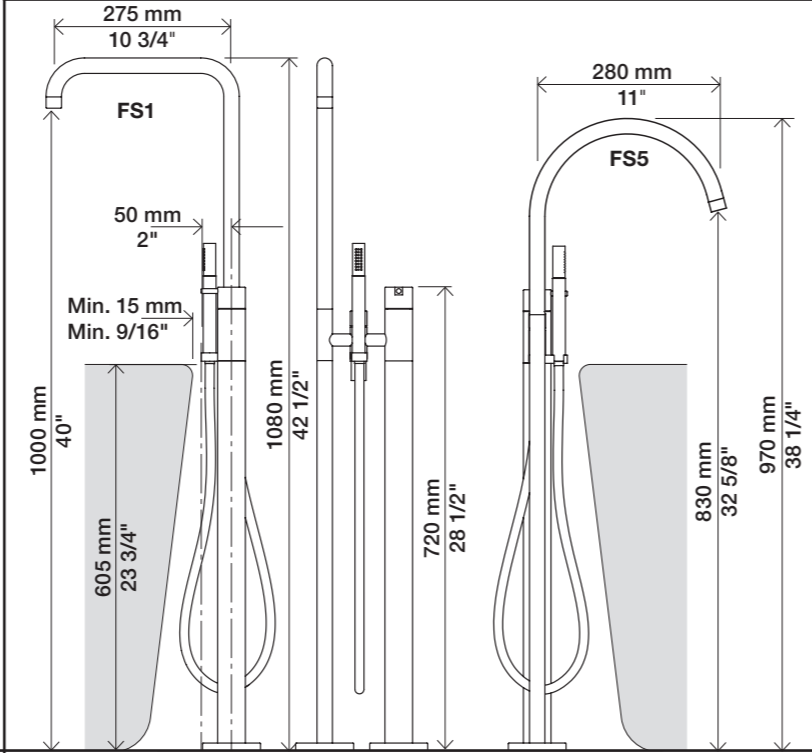
Monteringsvægledning
Montage hanledning
Manuel de montage

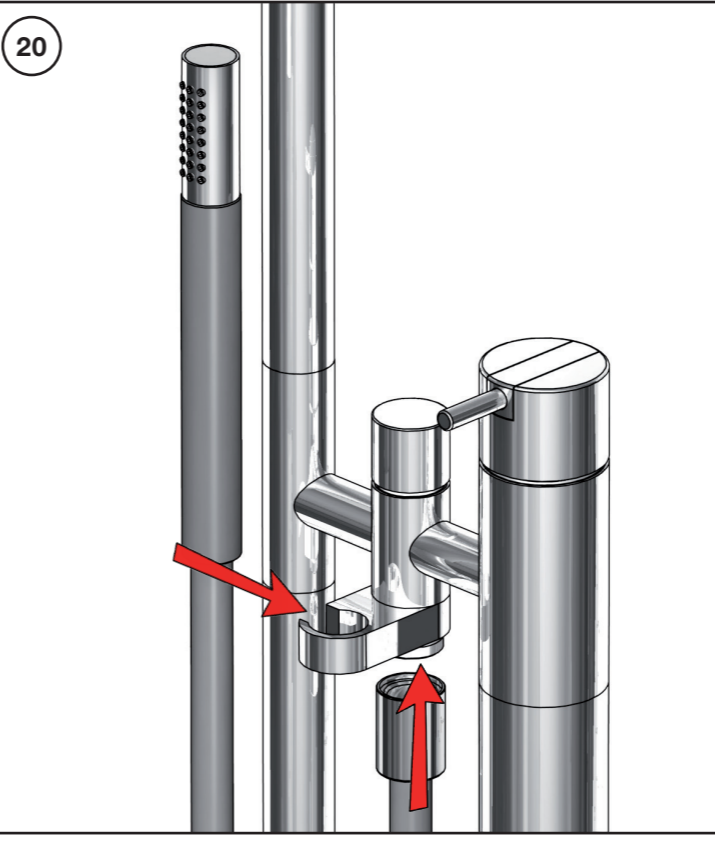
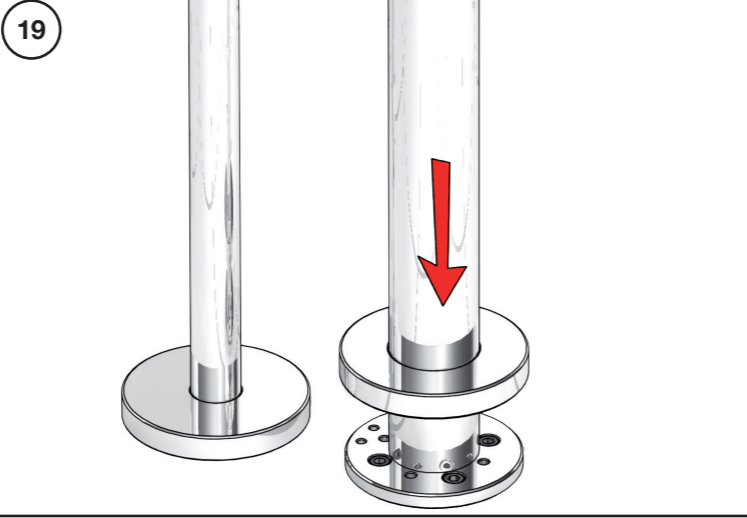
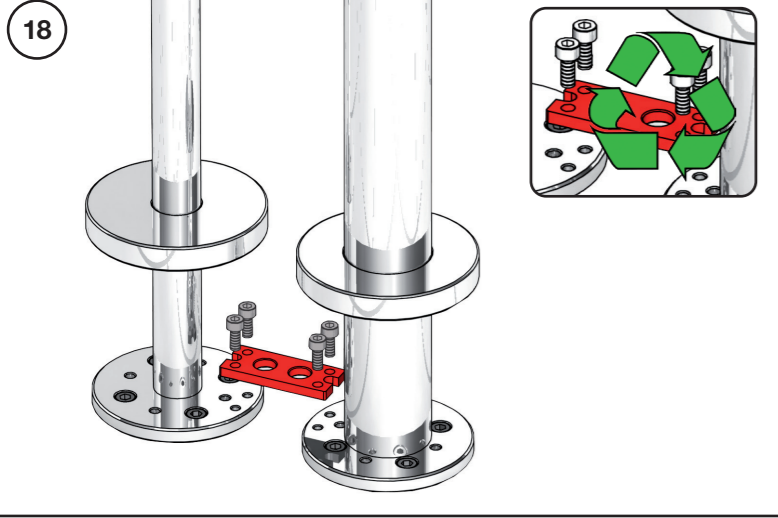
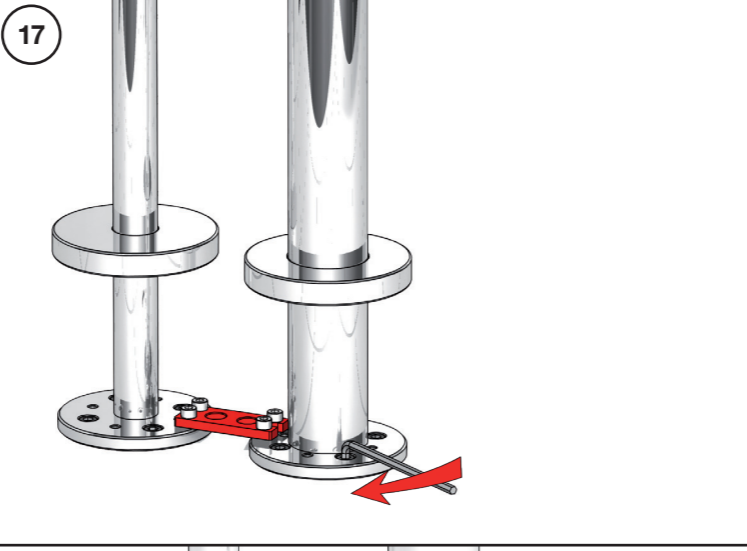
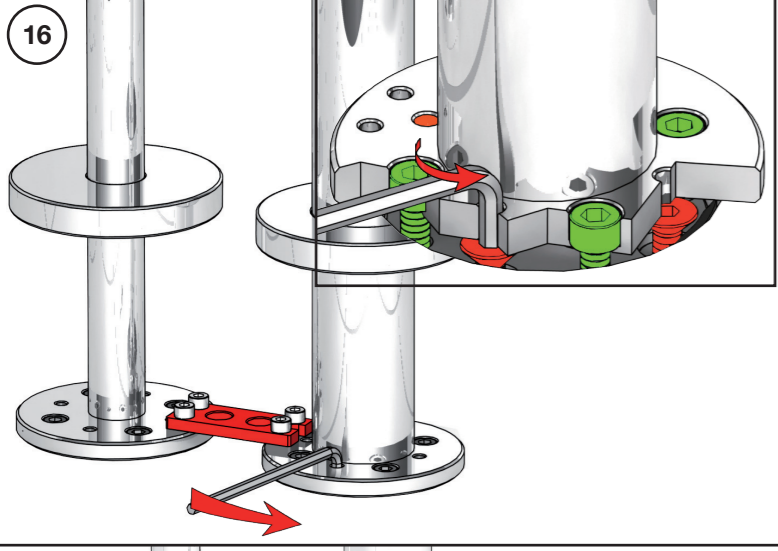
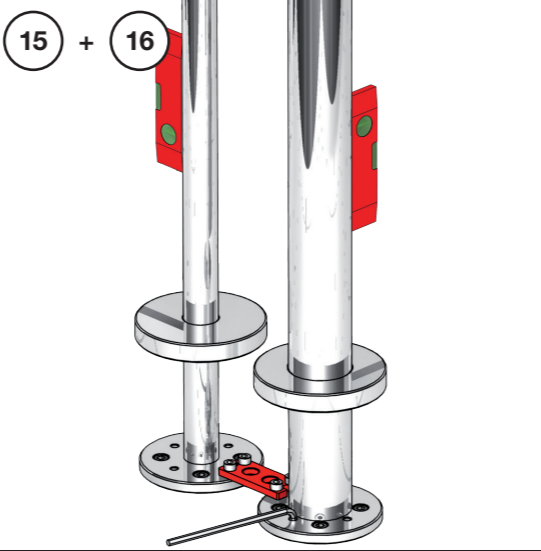
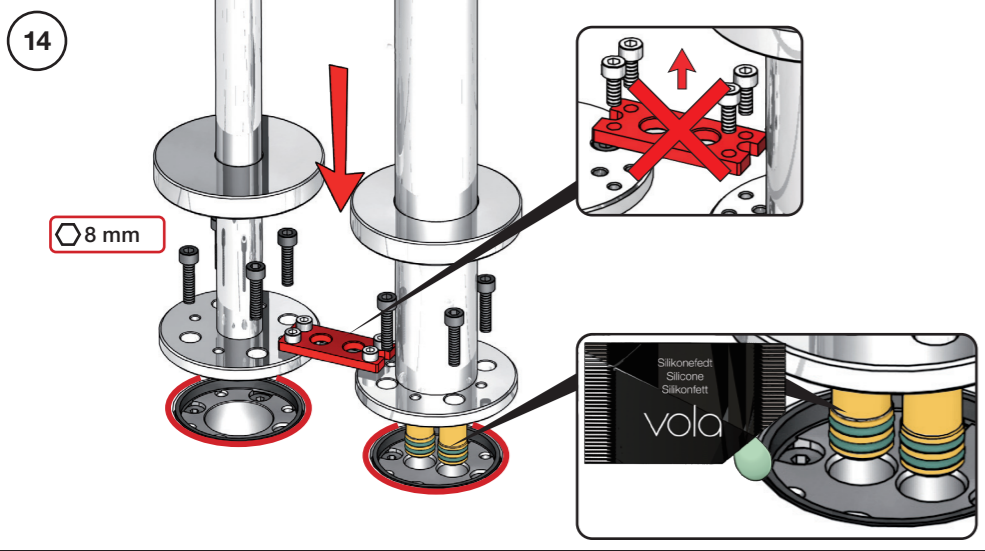
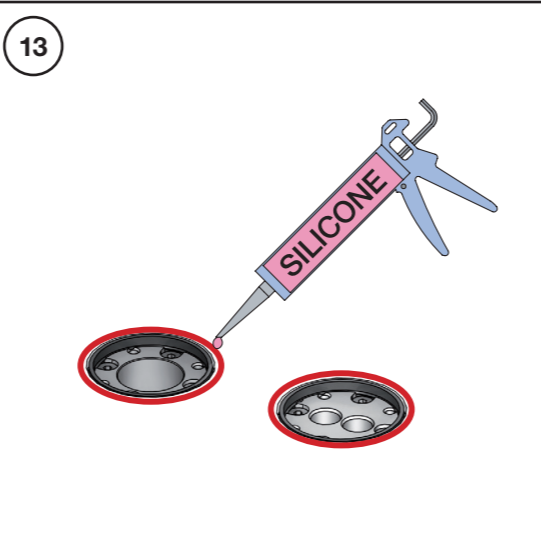


www.vola.com
mnt_FS1_V5_40600108
11-06-2024

Max. 65°C, 150°F Max. 10 Bar/145 Psi		Bar:	1	2	3	4	5
	FS1 VR624D-STD	(l/min) (Gal/min)	10.2 2.7	15.0 4.0	18.6 4.9	18.6 5.7	24.0 6.3
	FS1 VR624E-ALT	(l/min) (Gal/min)	12.6 3.3	18.0 4.8	22.2 5.9	25.2 6.7	28.8 7.6
	T2	(l/min) (Gal/min)	9.0 2.4	9.0 2.4	9.0 2.4	9.0 2.4	9.0 2.4

Temperature shall be regulated by one of the following means:
 1. A limiting device conforming to either ASSE 1070/ASME A112.1070/CSA B125.70 or CSA B125.3.
 2. A water heater conforming to ASSE 1084.





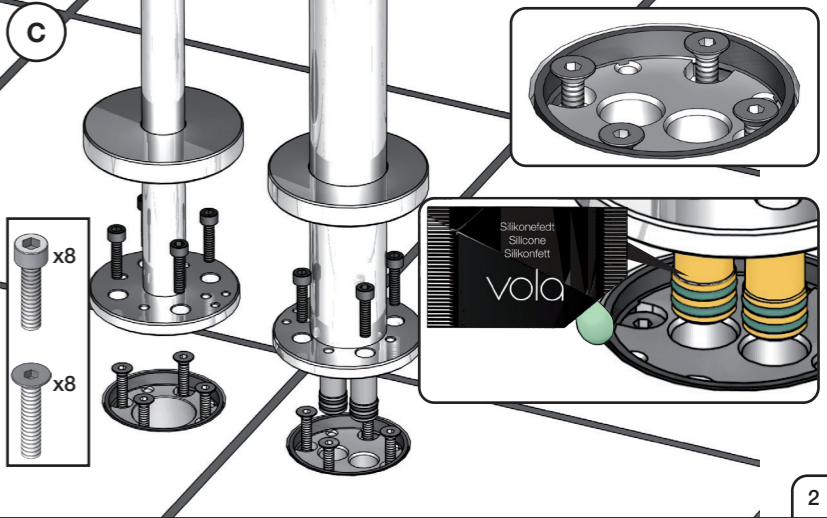
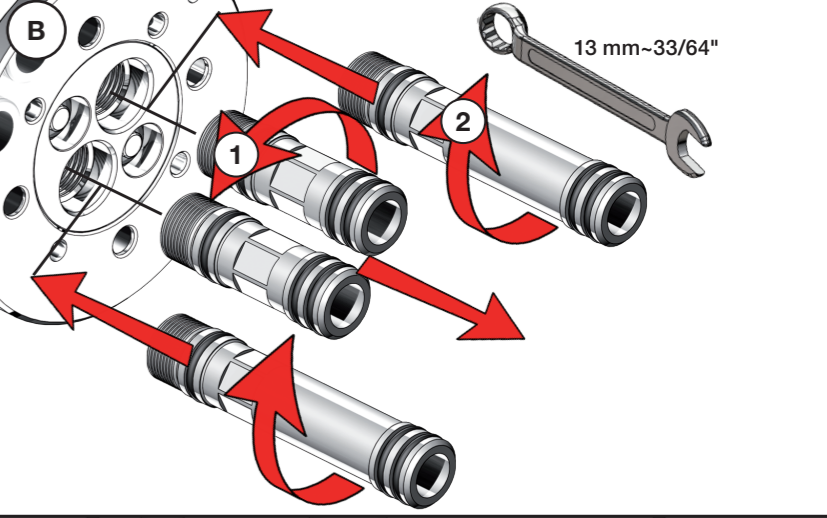
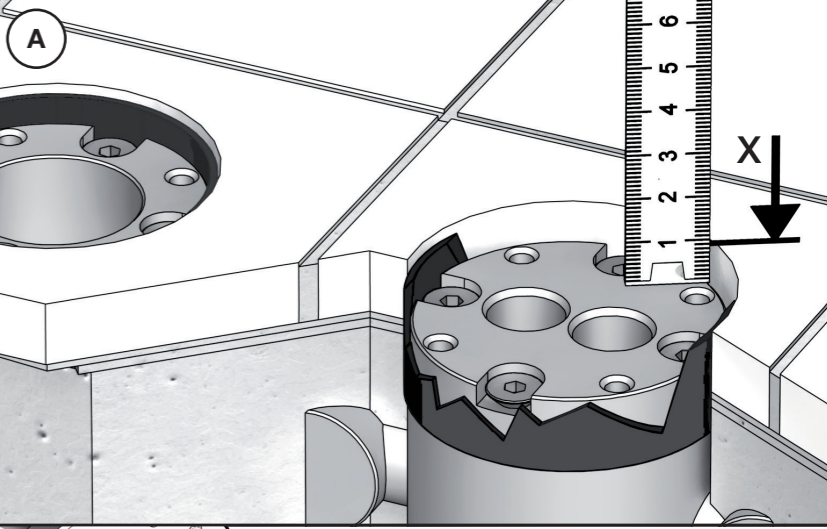
Extension
Verlängerung
Förlängelse

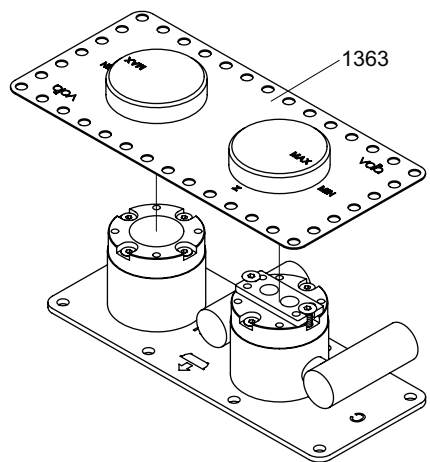
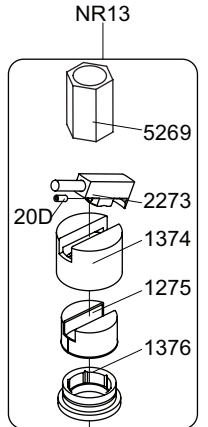
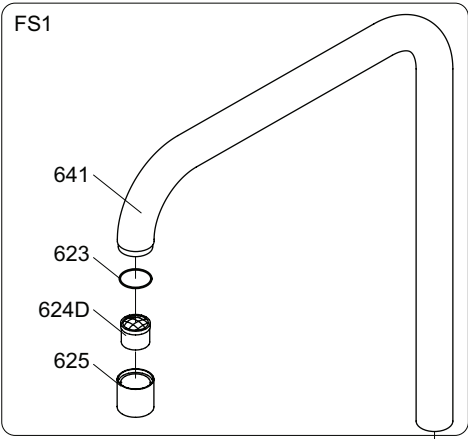
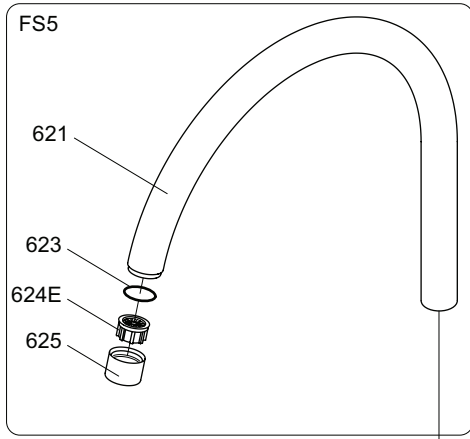
X:	
3 - 15 mm 2/16" - 9/16"	Standard
15 - 25 mm 9/16" - 1"	VR1395+15
25 - 35 mm 1" - 1 3/8"	VR1395+30

Förlängning
Verlängstücken
Verlängerung

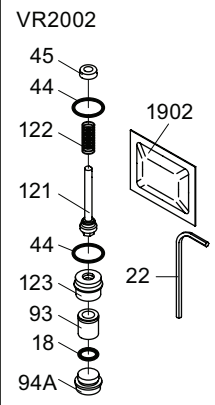
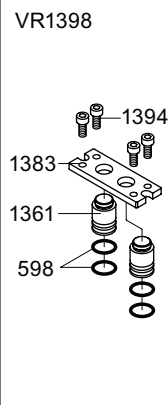
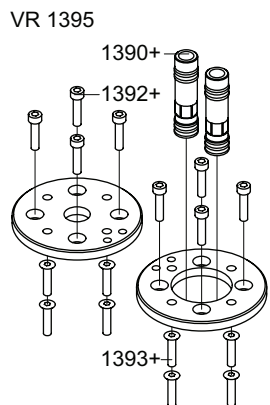
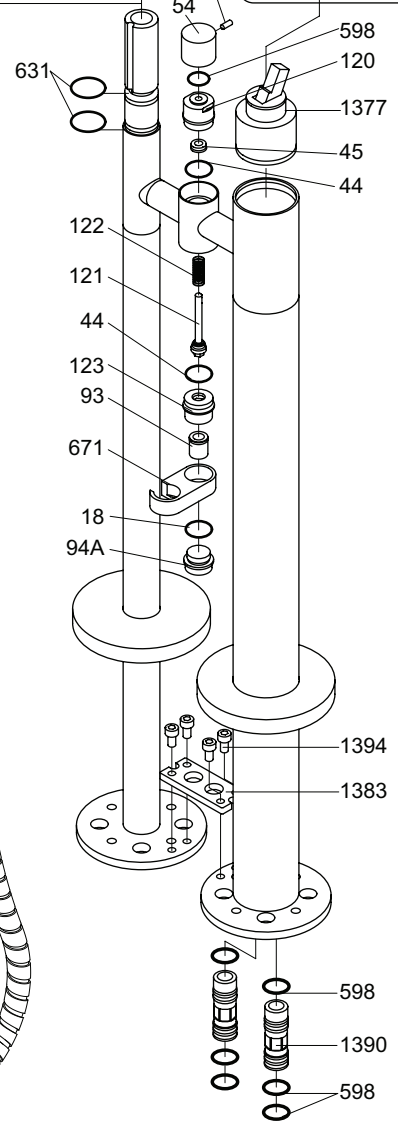
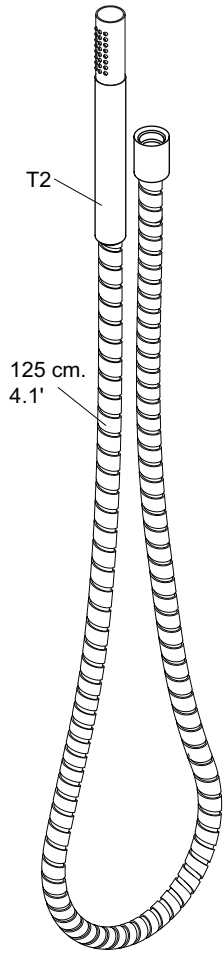
VR1395
Standard: +15 +30

VR1395

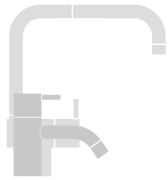




DK - SE: PEX1
NO: PEX1GL



- NR13: VR20D, VR1275, VR1374, VR1376, VR2273, VR5269
 VR010D: VR623, VR624D
 VR1395: 6xVR598, 2xVR1390+, 8xVR1392+, 8xVR1393+
 VR1398: 4xVR598, 2xVR1361, VR1383, 4xVR1394
 VR2002: VR18, VR22, 2xVR44, VR45, VR93, VR 94A, VR121, VR122, VR123, VR1902



vola
Lunavej 2
DK-8700 Horsens
Tlf : + 45 7023 5500
sales@vola.com
www.vola.com

VOLA FS1 & FS5

Date
Nov. 11

Rev.
2

Sheet
SB53